



Door-mount keypad for VT1 drives
VT1XC02

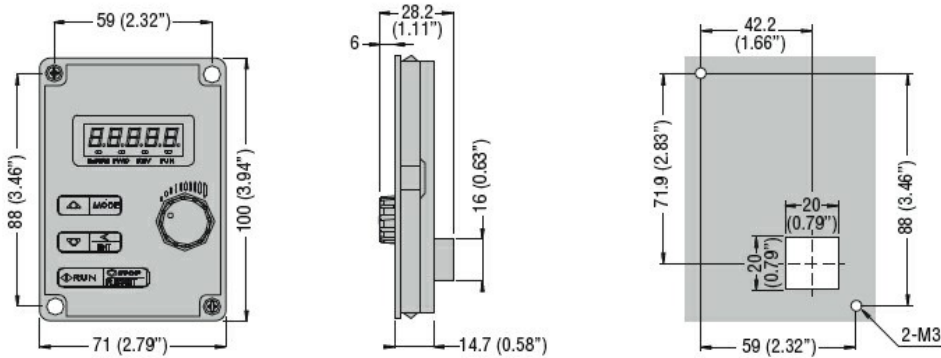
Product designation

Product type designation

Housing

IP degree of protection		IP65 (front), IP20
Dimensions (W x H x D)	mm	71 x 100 x 28.2
Weight	Kg	0.122

Dimensions



Certifications and compliance

Compliance

CSA 22.2 No. 274
EN 61800-5-1
UL508C

Certificates

EAC

ETIM classification

ETIM 8.0

EC001426 - Text panel