



Three phase motor choke  
 VLXM100  
 100A 0.15mH,  
 suitable for drives  
 size 30...45kW

Product designation

Product type designation

Version

**General characteristics**

Rated current (Ie)	A	100
Inductance	mH	0.15
Rated power	VA	1420
Rated output current	A	100
Rated output power	kW	30...45

**Technical features**

Rated mains voltage	VAC	400
Operating mains voltage range	VAC	170...530
Rated mains frequency	Hz	50/60
Saturation current		1.5*Ie
Power loss		104W
THD		40%

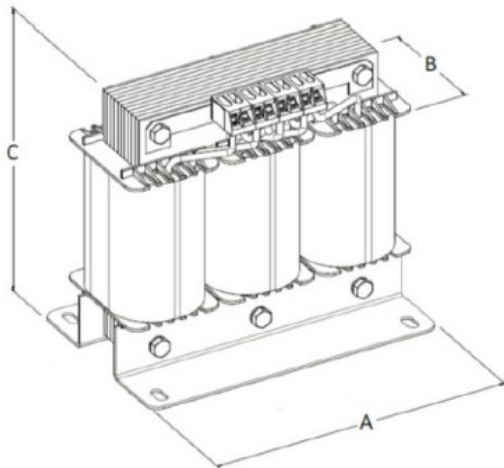
**Ambient conditions**

Temperature	Operating temperature	max	°C	+40
Max altitude			m	1000
Insulation class				Class F
Working class				Class F

**Housing**

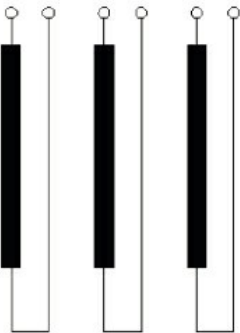
Material				Alluminium
Installation position				Vertical
IP degree of protection				IP00
Dimensions (W x H x D)	mm			250x150x205
Weight	Kg			16

**Dimensions**



	VLXM012	VLXM025	VLXM050	VLXM100	VLXM150	VLXM300
A	150	180	180	250	240	300
B	75	90	100	150	160	140
C	150	160	200	205	205	260

### Wiring diagrams



### Certifications and compliance

Compliance

IEC/EN/BS 61558-1

### ETIM classification

ETIM 8.0

EC002025