



Three phase motor choke
 VLXM025
 25A 0.6mH,
 suitable for drives
 size 5.5...11kW

Product designation

Product type designation

Version

General characteristics

| | | |
|----------------------|----|----------|
| Rated current (Ie) | A | 25 |
| Inductance | mH | 0.6 |
| Rated power | VA | 350 |
| Rated output current | A | 25 |
| Rated output power | kW | 5,5...11 |

Technical features

| | | |
|-------------------------------|-----|-----------|
| Rated mains voltage | VAC | 400 |
| Operating mains voltage range | VAC | 170...530 |
| Rated mains frequency | Hz | 50/60 |
| Saturation current | | 1.5*Ie |
| Power loss | | 45W |
| THD | | 40% |

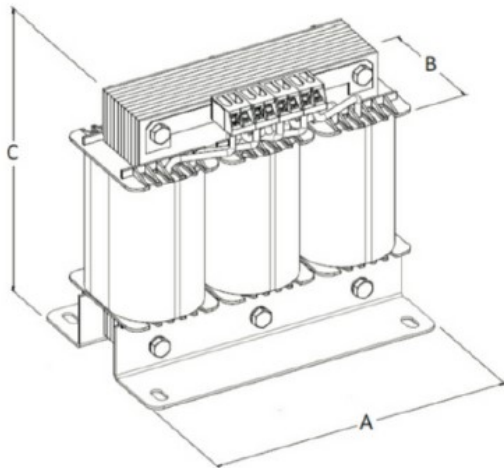
Ambient conditions

| | | | |
|------------------|-----------------------|-----|---------|
| Temperature | Operating temperature | | |
| | | max | °C +40 |
| Max altitude | | | m 1000 |
| Insulation class | | | Class F |
| Working class | | | Class F |

Housing

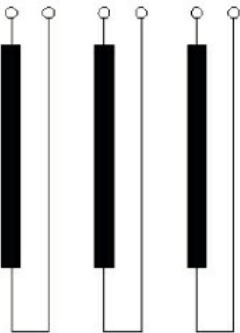
| | | |
|-------------------------|----|------------|
| Material | | Alluminium |
| Installation position | | Vertical |
| IP degree of protection | | IP00 |
| Dimensions (W x H x D) | mm | 180x90x160 |
| Weight | Kg | 6 |

Dimensions



| | VLXM012 | VLXM025 | VLXM050 | VLXM100 | VLXM150 | VLXM300 |
|---|---------|---------|---------|---------|---------|---------|
| A | 150 | 180 | 180 | 250 | 240 | 300 |
| B | 75 | 90 | 100 | 150 | 160 | 140 |
| C | 150 | 160 | 200 | 205 | 205 | 260 |

Wiring diagrams



Certifications and compliance

Compliance

IEC/EN/BS 61558-1

ETIM classification

ETIM 8.0

EC002025