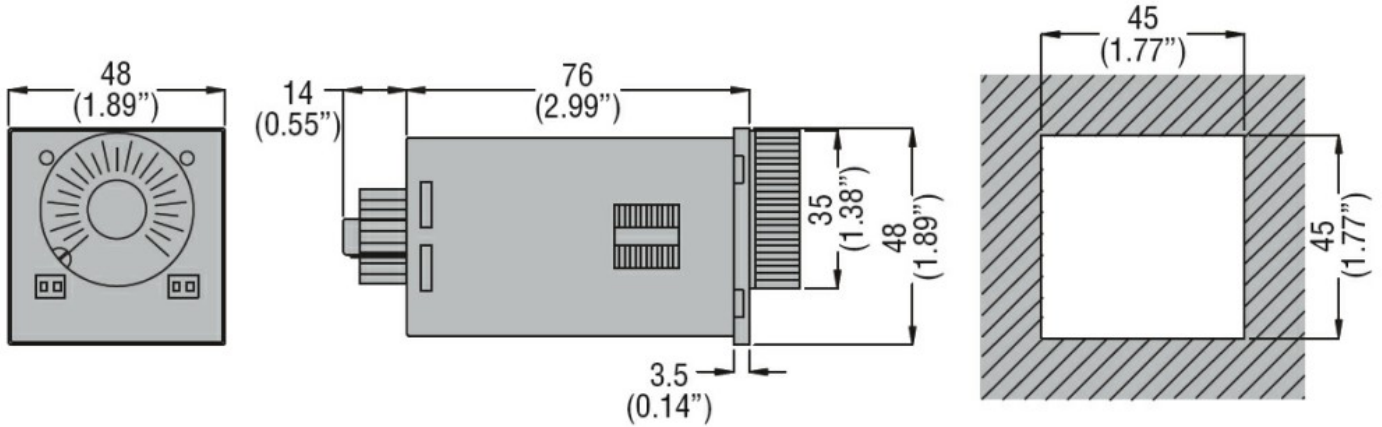




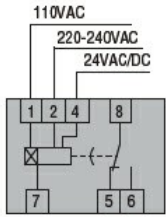
Product designation				Time relay
Product type designation				L48TP
General characteristics				
Description				On delay time relay, multiscale and multivoltage, plug-in version
Function				On delay
Supply circuit				
Rated auxiliary supply voltage U_s				24VAC/DC; 110VAC; 220...240VAC
Rated frequency	Hz			50/60
Operating voltage range				0.85...1.1 U_s
Maximum power consumption / dissipation	W			6VA
Immunity time for microbreakings	ms			≤40
Timing circuit				
Time setting range				0.3s...780s
Setting accuracy	%			±5
Repeat accuracy	%			±0.5
Influence of voltage variation	%			±0.5
Resetting time			During timing	ms ≥100
			Elapsed time	ms ≥65
Relay outputs				
Number of relays	Nr.			1
Contact arrangement				1 delayed C/O
Maximum switching voltage	VAC			250
IEC Conventional free air thermal current I_{th}	A			5
UL/CSA and IEC/EN 60947-5-1 designation				B300
Insulation (input-output)				
Rated insulation voltage U_i	V			250
Power frequency withstand voltage	kV			2
Operations				
Mechanical life	cycles			30000000
Electrical life (with rated load)	cycles			100000
Ambient conditions				
Temperature				
Operating temperature	min	°C	-10	
	max	°C	+60	
Storage temperature	min	°C	-30	
	max	°C	+80	
Housing				

Material	Self-extinguishing polyamide	
Mounting	Plug-in housing with 8-pin socket	
Degree of protection	IP40 on front, IP20 terminals	
Dimensions (W x H x D)	mm	48 x 48 x 90
Weight	g	124

Dimensions



Wiring diagrams



Certifications and compliance

Compliance

CSA C22.2 n°14
IEC/EN 61812-1
UL508

Certificates

cURus
EAC

ETIM classification

ETIM 8.0

EC001439 -
Timer relay