



Product designation				Time relay
Product type designation				L48TPB
General characteristics				
Description				On delay time relay, multiscale and multivoltage, plug-in version
Function				On delay
Supply circuit				
Rated auxiliary supply voltage U_s				220...240VAC
Rated auxiliary supply voltage U_s AC		min	VAC	220
		Max	VAC	240
Rated frequency			Hz	50/60
Operating voltage range				0.85...1.1 U_s
Maximum power consumption / dissipation			W	6VA
Immunity time for microbreakings			ms	≤40
Timing circuit				
Time setting range				0.05s...10min
Setting accuracy			%	±5
Repeat accuracy			%	±0.5
Influence of voltage variation			%	±0.5
Resetting time		During timing	ms	≥100
		Elapsed time	ms	≥65
Relay outputs				
Number of relays			Nr.	2
Contact arrangement				2 delayed C/O or 1 instantaneous C/O + 1 delayed C/O
Maximum switching voltage			VAC	250
IEC Conventional free air thermal current I_{th}			A	5
UL/CSA and IEC/EN 60947-5-1 designation				B300
Insulation (input-output)				
Rated insulation voltage U_i			V	250
Power frequency withstand voltage			kV	2
Operations				
Mechanical life			cycles	30000000
Electrical life (with rated load)			cycles	100000
Ambient conditions				
Temperature				
Operating temperature		min	°C	-10
		max	°C	+60

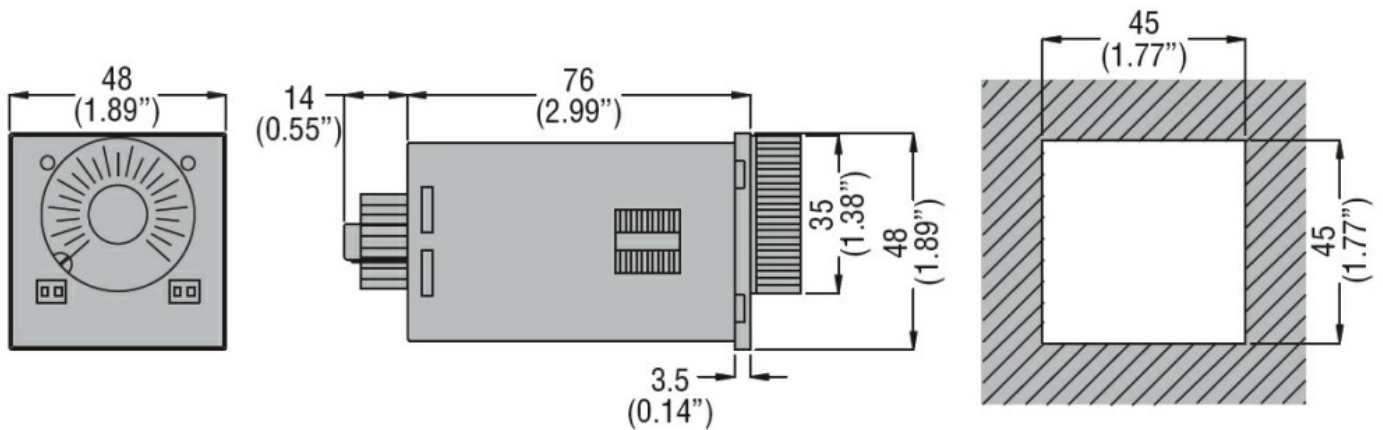
Storage temperature

min	°C	-30
max	°C	+80

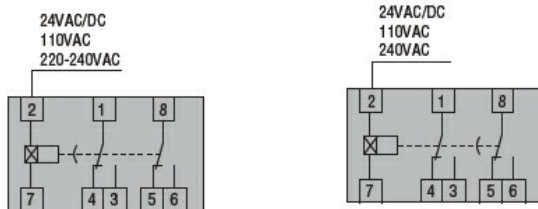
Housing

Material	Self-extinguishing polyamide
Mounting	Plug-in housing with 8-pin socket
Degree of protection	IP40 on front, IP20 terminals
Dimensions (W x H x D)	mm 48 x 48 x 90
Weight	g 124

Dimensions



Wiring diagrams



Certifications and compliance

Compliance

CSA C22.2 n°14
IEC/EN 61812-1
UL508

Certificates

cURus
EAC

ETIM classification

ETIM 8.0

EC001439 -
Timer relay