



| | | | | |
|--|--|---------------|--------|---|
| Product designation | | | | Time relay |
| Product type designation | | | | L48M |
| General characteristics | | | | |
| Description | | | | Multifunction time relay, multiscale and multivoltage |
| Function | | | | Multifunction |
| Supply circuit | | | | |
| Rated auxiliary supply voltage U_s | | | | 24...240VAC/DC |
| Rated auxiliary supply voltage U_s | | | | |
| AC | | min | VAC | 24 |
| | | Max | VAC | 240 |
| DC | | min | VDC | 24 |
| | | Max | VDC | 240 |
| Rated frequency | | | Hz | 50/60 |
| Operating voltage range | | | | 0.85...1.1 U_s |
| Maximum power consumption / dissipation | | | W | 6VA |
| Immunity time for microbreakings | | | ms | ≤40 |
| Timing circuit | | | | |
| Time setting range | | | | 0.05min...10h |
| Setting accuracy | | | % | ±5 |
| Repeat accuracy | | | % | ±0.5 |
| Influence of voltage variation | | | % | ±0.5 |
| Resetting time | | | | |
| | | During timing | ms | ≥100 |
| | | Elapsed time | ms | ≥65 |
| Relay outputs | | | | |
| Number of relays | | | Nr. | 2 |
| Contact arrangement | | | | 2 delayed C/O |
| Maximum switching voltage | | | VAC | 250 |
| IEC Conventional free air thermal current I_{th} | | | A | 5 |
| UL/CSA and IEC/EN 60947-5-1 designation | | | | B300 |
| Insulation (input-output) | | | | |
| Rated insulation voltage U_i | | | V | 250 |
| Power frequency withstand voltage | | | kV | 2 |
| Operations | | | | |
| Mechanical life | | | cycles | 3000000 |
| Electrical life (with rated load) | | | cycles | 100000 |
| Ambient conditions | | | | |
| Temperature | | | | |
| Operating temperature | | min | °C | -10 |
| | | max | °C | +60 |

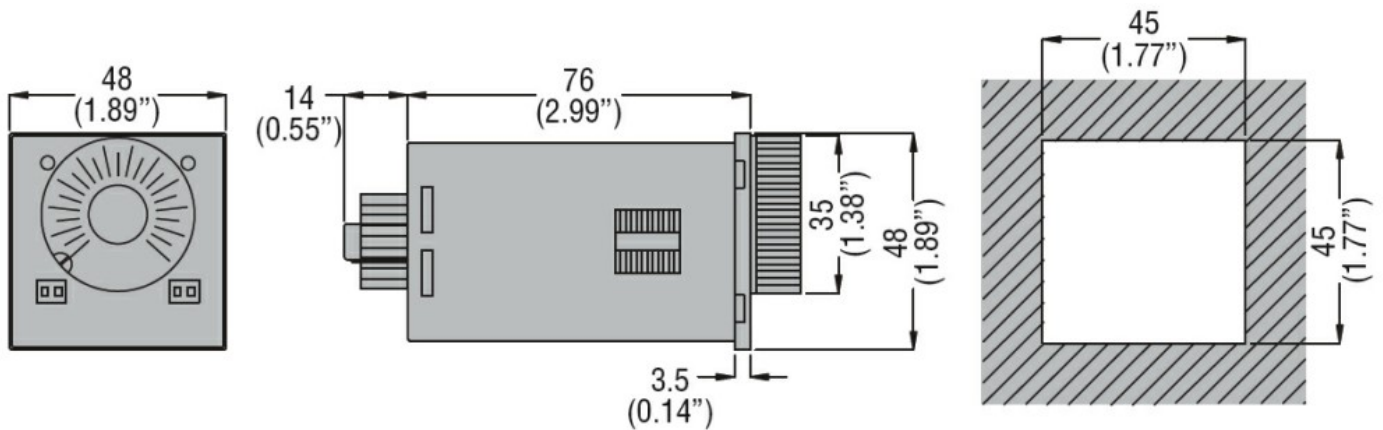
Storage temperature

| | | |
|-----|----|-----|
| min | °C | -30 |
| max | °C | +80 |

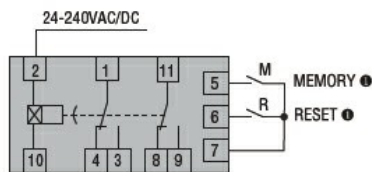
Housing

| | |
|------------------------|------------------------------------|
| Material | Self-extinguishing polyamide |
| Mounting | Plug-in housing with 11-pin socket |
| Degree of protection | IP40 on front, IP20 terminals |
| Dimensions (W x H x D) | mm 48 x 48 x 90 |
| Weight | g 135 |

Dimensions



Wiring diagrams



T (preset time) = $T1 + T2$

● Contacts "M" and "R" are to be volt free (dry).

Certifications and compliance

Compliance

CSA C22.2 n°14
IEC/EN 61812-1
UL508

Certificates

cURus
EAC

ETIM classification

ETIM 8.0

EC001439 -
Timer relay