



Product designation	Switching power supplies		
Product type designation	PSE1		
Input characteristics			
Input type	Single-phase		
Rated supply voltage AC	VAC	Multivoltage 100...240	
Operating range			
AC	min	VAC	85
	Max	VAC	264
DC	min	VDC	120
	Max	VDC	375
Rated frequency		Hz	50/60
Operational frequency	min	Hz	47
	max	Hz	63
Current consumption Max		mA	1700
Power dissipation		W	10.5
Insulation voltage Input/Output	AC	VAC	3000
	DC	VAC	4242
Internal fuse (250VAC)	T3.15A 250VAC		
Output characteristics			
Rated output voltage DC		VDC	24
Voltage trimming (potentiometer) DC	min	VDC	22.5
	Max	VDC	28.5
Rated output current		A	3
Rated output power		W	72
Temperature coefficient		%/°C	±0.03
Line adjustment		%	±1
Load adjustment		%	±1
Efficiency		%	89
Overload protection	1.4		
Overvoltage protection	min 28.8V / max 32.4V		
Short-circuit protection	Hiccup		
Ripple & noise		mV	100
Parallel connection		Nr.	No
Indications			
LED indicator for power on	Yes		
LED indicator for low voltage	No		
Power Rdy (Ready - minimum limit)	No		

Connections

Terminals type	Screw		
Tightening torque for terminals	max	Nm	0.5
	max	lbin	5
Conductor cross section			
AWG/Kcmil	min	AWG	26
	Max	AWG	12
IEC	min	mm ²	0.2
	Max	mm ²	2.5
Cable stripping length		mm	4-5

Ambient conditions

Temperature			
Operating temperature	min	°C	-25
	max	°C	+71
Storage temperature	min	°C	-40
	max	°C	+85
Derating		%/°C	2.5%/°C above 50°C
Relative humidity		%	<95%
Maximum Pollution degree			2
Max altitude		m	5000

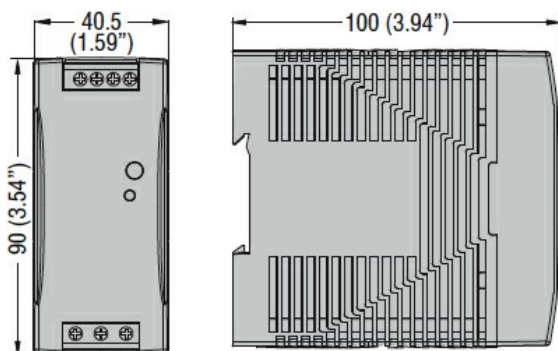
Housing

Material	Plastic		
IEC degree of protection	IP20		
Dimensions (W x H x D)	mm	40.5 x 90 x 100	
Weight	g	250	

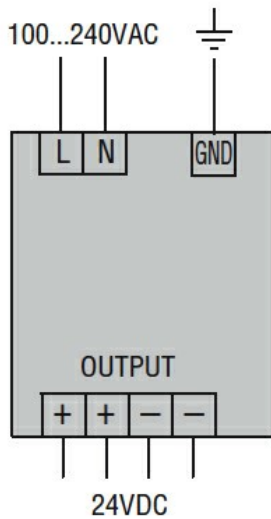
Installations

Mounting	On 35mm DIN rail		
Installation position	Vertical (other directions with derating)		
Cooling System	Free air convection		

Dimensions



Wiring diagrams



Certifications and compliance

Compliance

CSA C22.2 n° 107.1.
IEC/EN/BS 61000-6-2
IEC/EN/BS 61000-6-3
IEC/EN/BS 62368-1
UL 508

Certificates

cULus
EAC
RCM

ETIM classification

ETIM 8.0

EC002540 - DC-
power supply