



Product designation	Switching power supplies		
Product type designation	PSE1		
<b>Input characteristics</b>			
Input type	Single-phase		
Rated supply voltage AC	VAC	Multivoltage 100...240	
Operating range			
AC	min	VAC	85
	Max	VAC	264
DC	min	VDC	120
	Max	VDC	375
Rated frequency		Hz	50/60
Operational frequency	min	Hz	47
	max	Hz	63
Current consumption Max		mA	1300
Power dissipation		W	8.8
Insulation voltage Input/Output	AC	VAC	3000
	DC	VAC	4242
Internal fuse (250VAC)	T2A 250VAC		
<b>Output characteristics</b>			
Rated output voltage DC		VDC	24
Voltage trimming (potentiometer) DC	min	VDC	22.5
	Max	VDC	28.5
Rated output current		A	2.1
Rated output power		W	50
Temperature coefficient		%/°C	±0.03
Line adjustment		%	±1
Load adjustment		%	±1
Efficiency		%	87
Overload protection	1.4		
Overvoltage protection	min 28.8V / max 32.4V		
Short-circuit protection	Hiccup		
Ripple & noise		mV	100
Parallel connection		Nr.	No
<b>Indications</b>			
LED indicator for power on	Yes		
LED indicator for low voltage	No		
Power Rdy (Ready - minimum limit)	No		

### Connections

Terminals type	Screw		
Tightening torque for terminals	max	Nm	0.5
	max	lbin	5
Conductor cross section			
AWG/Kcmil	min	AWG	26
	Max	AWG	12
IEC	min	mm <sup>2</sup>	0.2
	Max	mm <sup>2</sup>	2.5
Cable stripping length		mm	4-5

### Ambient conditions

Temperature			
Operating temperature	min	°C	-25
	max	°C	+71
Storage temperature	min	°C	-40
	max	°C	+85
Derating		%/°C	2.5%/°C above 50°C
Relative humidity		%	<95%
Maximum Pollution degree			2
Max altitude		m	5000

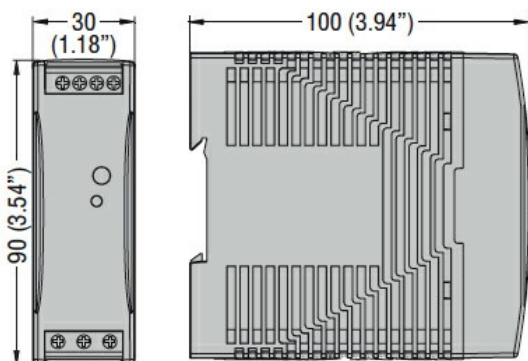
### Housing

Material	Plastic		
IEC degree of protection	IP20		
Dimensions (W x H x D)	mm	30 x 90 x 100	
Weight	g	200	

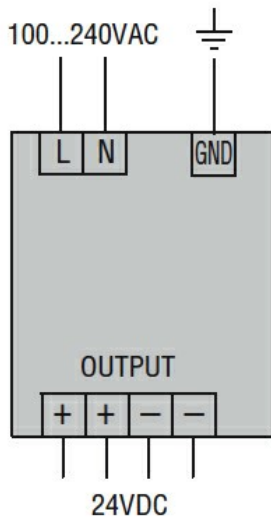
### Installations

Mounting	On 35mm DIN rail		
Installation position	Vertical (other directions with derating)		
Cooling System	Free air convection		

### Dimensions



### Wiring diagrams



### Certifications and compliance

#### Compliance

CSA C22.2 n° 107.1.  
IEC/EN/BS 61000-6-2  
IEC/EN/BS 61000-6-3  
IEC/EN/BS 62368-1  
UL 508

#### Certificates

cULus  
EAC  
RCM

### ETIM classification

ETIM 8.0

EC002540 - DC-  
power supply