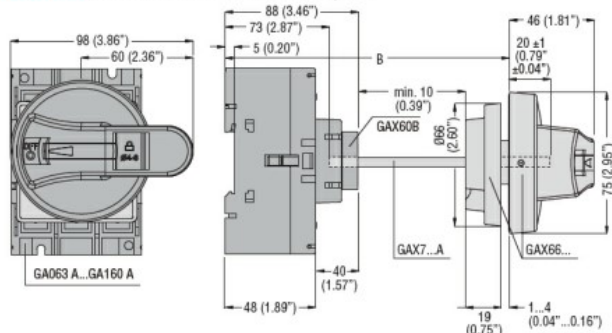


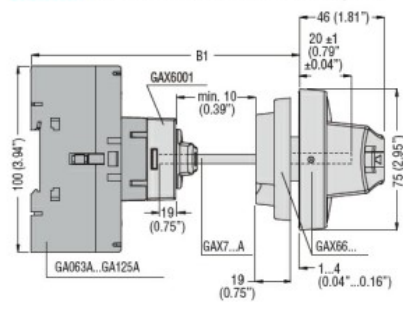


## Dimensiuni

**GAX7...A** used with GAX60 B and GAX66/66B



**GAX7...A** used with GAX60 01 and GAX66/66B



Extension	Length [mm(in)]	B	
		with GAX66/66B handle	
		[mm(in)]	[mm(in)]
GAX7150A	176 (6.93)	118...229 (4.64"...9.01")	119...205 (4.68"...8.07")
GAX7200A	225 (8.90)	118...279 (4.64"...10.99")	119...255 (4.68"...10.03")
GAX7300A	326 (12.83)	118...379 (4.64"...14.92")	119...355 (4.68"...13.98")

## Certificari si conformitate

### Conformitate

CSA C22.2

IEC/EN 60947-1

IEC/EN 60947-3

UL508

UL98

### Certificari

CCC

cULus according to UL98 / CSA C22.2 n°4

EAC

## Clasificare ETIM

ETIM 8.0

EC002498 -  
Accesorii pentru  
dispozitive de  
comutare de  
joasă tensiune