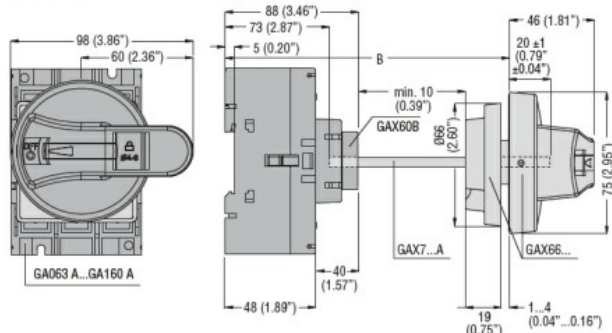


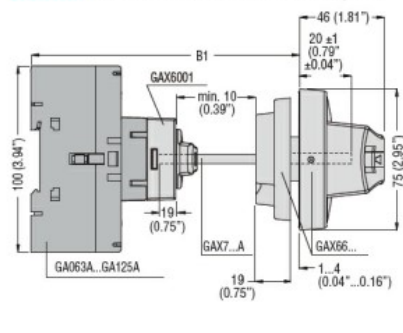


Dimensiuni

GAX7...A used with GAX60 B and GAX66/66B



GAX7...A used with GAX60 01 and GAX66/66B



Extension	Length [mm(in)]	B	
		with GAX66/66B handle	B1
GAX7150A	176 (6.93")	118...229 (4.64"...9.01")	119...205 (4.68"...8.07")
GAX7200A	225 (8.90")	118...279 (4.64"...10.99")	119...255 (4.68"...10.03")
GAX7300A	326 (12.83")	118...379 (4.64"...14.92")	119...355 (4.68"...13.98")

Certificari si conformitate

Conformitate

CSA C22.2

IEC/EN 60947-1

IEC/EN 60947-3

UL508

UL98

Certificari

CCC

cULus according to UL98 / CSA C22.2 n°4

EAC

Clasificare ETIM

ETIM 8.0

EC002498 -
Accesorii pentru
dispozitive de
comutare de
joasă tensiune