



| | | | | |
|---|---------|---------------------|----------------------|-------------------------------------|
| Product designation | | | | Switch disconnecter with fuse |
| Product type designation | | | | GM |
| Type of fuse | | | | J |
| Number of poles | Nr. | | | 3 |
| Operating voltage type | | | | AC |
| Contact characteristics | | | | |
| IEC Conventional free air thermal current I _{th} | A | | | 400 |
| Rated insulation voltage U _i IEC/EN | V | | | 1000 |
| Rated impulse withstand voltage U _{imp} | kV | | | 12 |
| Operating current I _e | | | | |
| AC21A | | | | |
| | 400V | A | 400 | |
| | 500V | A | 400 | |
| | 690V | A | 400 | |
| AC22A | | | | |
| | 400V | A | 400 | |
| | 500V | A | 400 | |
| | 690V | A | 400 | |
| AC23A | | | | |
| | 400V | A | 400 | |
| | 500V | A | 400 | |
| | 690V | A | 400 | |
| Power dissipation per pole max | W | | | 30 |
| Power dissipation per pole without fuse | W | | | 30 |
| Max fuse power dissipation | | | | |
| | | in open air | W | 30 |
| | | in enclosure | W | 30 |
| Rated operational power AC23A | | | | |
| | 400V | kW | 220 | |
| | 690V | kW | 400 | |
| Rated short time current (1s) I _{cw} (rms) | kA | | | 14 |
| Short-circuit protection with fuse | Class/A | | | J/400 |
| Making capacity AC23A 400V | A | | | 4000 |
| Breaking capacity AC23A 400V | A | | | 3200 |
| Mechanical life | cycles | | | 5000 |
| Electrical life AC21A | cycles | | | 1000 (AC23A 400V) |
| Mechanical features | | | | |
| Operating position | | normal allowable | Vertical plan Any | |
| Fixing | | | | Screw |
| Terminals | | | | |

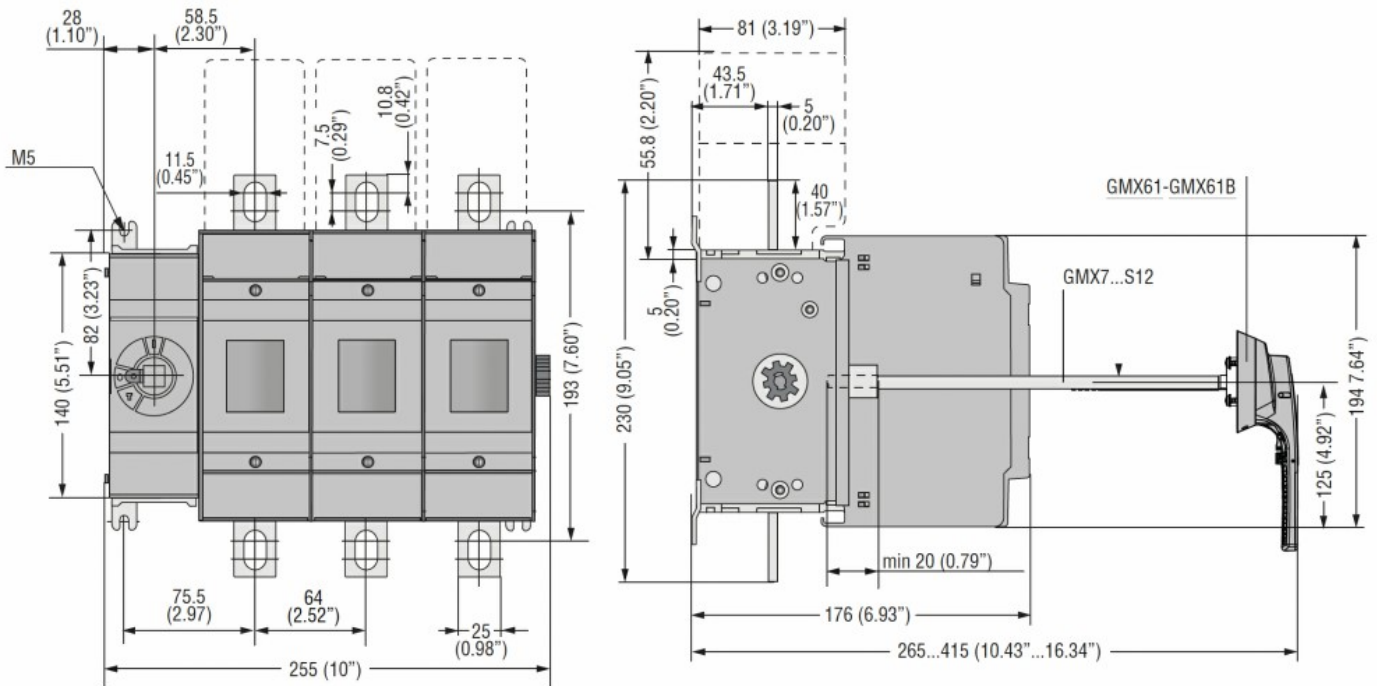
| | type | Bar |
|--|---------|------------|
| Tightening torque for terminals | max | Nm 42.5 |
| | max | lbin 31.2 |
| Tightening torque for fuse links bolts | | Nm 20 |
| Tightening torque for terminal lug | | Nm 27 |
| Terminal kit lugs | | GMX502 |
| UL technical data | | |
| UL Standard | | UL98 |
| General purpose current rating | A | 400 |
| Operating voltage max | V | 600 |
| Horsepower/FLA current three phase motor | 240V | HP 125/312 |
| | 480V | HP 250/302 |
| | 600V | HP 350/336 |
| Short circuit rating | kA rms | 200 |
| Short circuit rating with fuse | Class/A | J/400 |

| Ambient conditions | | |
|---------------------------|-----|--------|
| Operating temperature | min | °C -25 |
| | max | °C 55 |

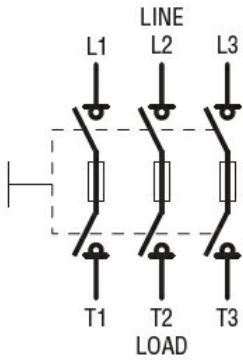
| | | |
|---------------------|-----|--------|
| Storage temperature | min | °C -40 |
| | max | °C 70 |
| Max altitude | m | 3000 |

| Resistance & Protection | | |
|------------------------------------|--|------|
| Frontal IP degree | | IP20 |
| Pollution degree | | 3 |

Dimensions



Wiring diagrams



Certifications and compliance

Compliance

IEC/EN 60947-1

IEC/EN 60947-3

Certifications

cULus according to UL98/CSA C22.2 n°4

ETIM classification

ETIM 8.0

EC000216 -
Switch
disconnecter