



Product designation				Switch disconnecter with fuse
Product type designation				GM
Type of fuse				J
Number of poles	Nr.			3
Operating voltage type				AC
Contact characteristics				
IEC Conventional free air thermal current I _{th}	A			63
Rated insulation voltage U _i IEC/EN	V			1000
Rated impulse withstand voltage U _{imp}	kV			12
Operating current I _e				
AC21A	400V	A	63	
	500V	A	63	
	690V	A	63	
AC22A	400V	A	63	
	500V	A	32	
	690V	A	32	
AC23A	400V	A	63	
	500V	A	63	
	690V	A	63	
Power dissipation per pole max	W			4
Power dissipation per pole without fuse	W			4
Max fuse power dissipation	in open air	W	7.5	
	in enclosure	W	7.5	
Rated operational power AC23A	690V	kW	55	
Rated short time current (1s) I _{cw} (rms)	kA			2.5
Short-circuit protection with fuse	Class/A			J/60
Making capacity AC23A 400V	A			630
Breaking capacity AC23A 400V	A			504
Mechanical life	cycles			10000
Electrical life AC21A	cycles			6000
Mechanical features				
Operating position	normal	Vertical plan		
	allowable	Any		
Fixing				Screw
Terminals	type	Built-in terminal lug		

Tightening torque for terminals

max	Nm	3.5
max	lbin	2.5

Conductor section

IEC min	mm ²	2.5
IEC max	mm ²	25
AWG/kcmil min		14
AWG/kcmil max		4

UL technical data

UL Standard UL98

General purpose current rating A 60

Operating voltage max V 600

Horsepower/FLA current three phase motor

240V	HP	15/42
480V	HP	30/40
600V	HP	50/52

Short circuit rating kA rms 200

Short circuit rating with fuse Class/A J/60

Ambient conditions

Operating temperature

min	°C	-25
max	°C	55

Storage temperature

min	°C	-40
max	°C	70

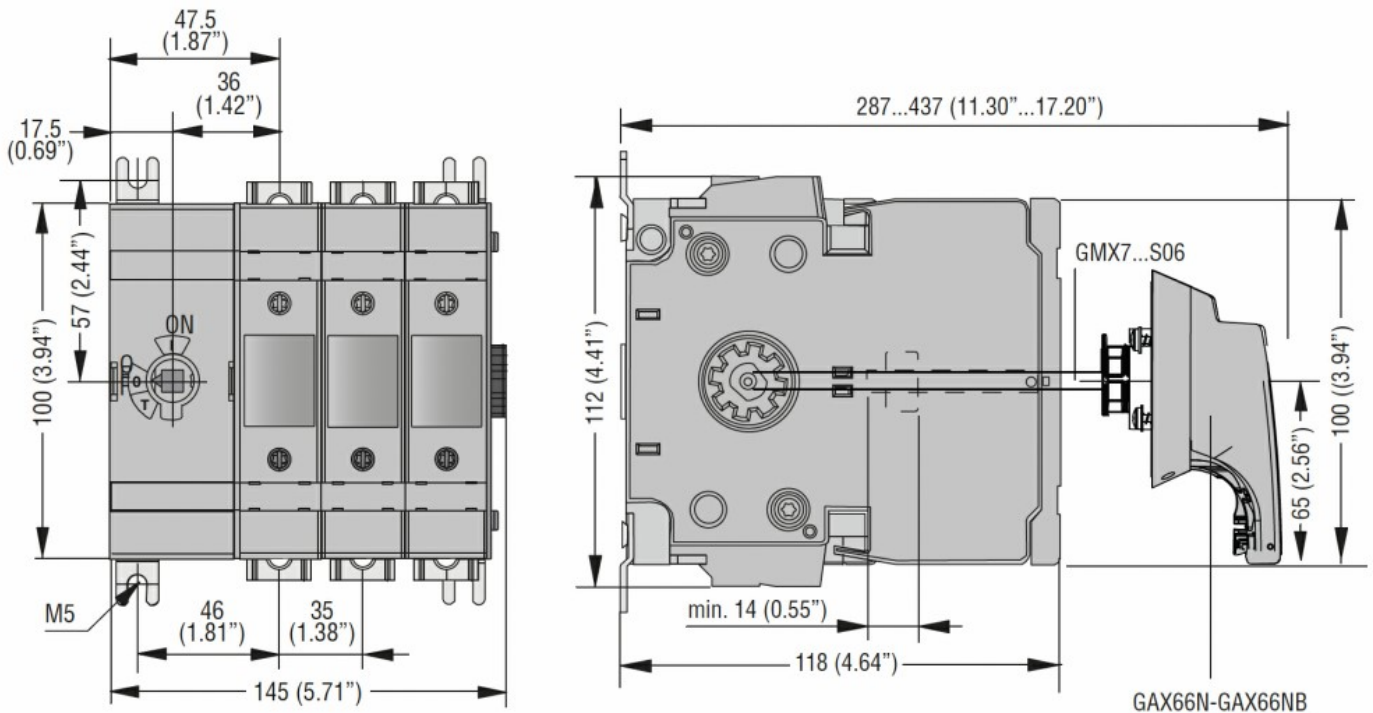
Max altitude m 3000

Resistance & Protection

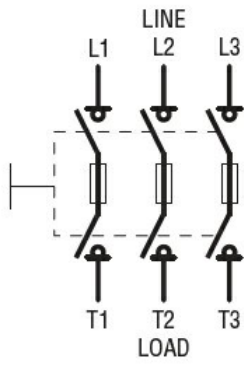
Frontal IP degree IP20

Pollution degree 3

Dimensions



Wiring diagrams



Certifications and compliance

Compliance

IEC/EN 60947-1

IEC/EN 60947-3

Certifications

cULus according to UL98/CSA C22.2 n°4

ETIM classification

ETIM 8.0

EC000216 -
Switch
disconnecter