



Enclosed  
changeover  
switch  
GLZM

Product designation

Product type designation

Number of poles

Operating voltage type

Nr. 3  
AC

**Contact characteristics**

IEC Conventional free air thermal current I<sub>th</sub> A 250

Rated insulation voltage U<sub>i</sub> IEC/EN V 1000

Rated impulse withstand voltage U<sub>imp</sub> kV 12

Operating current I<sub>e</sub>

AC21A

400V A 250  
500V A 250  
690V A 250

AC22A

400V A 250  
500V A 250  
690V A 250

AC23A

400V A 250  
500V A 250  
690V A 250

Power dissipation per pole max W 6.5

Rated operational power AC23A

400V kW 140  
690V kW 250

Conditional short-circuit current (rms) kA 100

Short-circuit protection with fuse Class/A gG/250

Making capacity AC23A 400V A 2500

Breaking capacity AC23A 400V A 2000

Mechanical life cycles 10000

**Mechanical features**

Operating position

normal  
allowable Vertical plan  
Any

Terminals

type M8 x 25

Tightening torque for terminals

min Nm 15  
max Nm 22  
min lbin 132  
max lbin 194

Conductor section

IEC min mm<sup>2</sup> 70

IEC max	mm <sup>2</sup>	185
AWG/kcmil min		00
AWG/kcmil max		400

**Ambient conditions**

Operating temperature

min	°C	-25
max	°C	+55

Storage temperature

min	°C	-40
max	°C	+70

Max altitude

m	3000
---	------

**Resistance & Protection**

Frontal IP degree

IP65

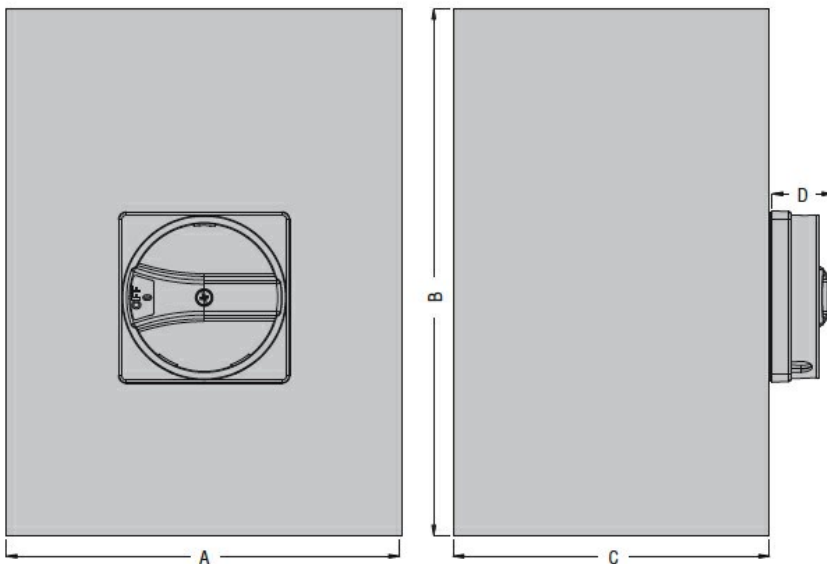
IP degree of protection

IP65

Pollution degree

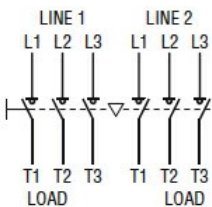
3

**Dimensions**



Type	A	B	C	D
GLZM0160 E...GLZM0315 E...	300 (11.81")	400 (15.75")	250 (9.84")	45,7 (1.80")

**Wiring diagrams**



**Certifications and compliance**

Compliance

IEC/EN 60947-1  
IEC/EN 60947-6-1

**ETIM classification**

ETIM 8.0

EC000216 -  
Switch  
disconnecter