



Enclosed
changeover
switch
GLZM

Product designation

Product type designation

Number of poles

Operating voltage type

Nr. 3
AC

Contact characteristics

IEC Conventional free air thermal current I _{th}	A	200
Rated insulation voltage U _i IEC/EN	V	1000
Rated impulse withstand voltage U _{imp}	kV	12

Operating current I_e

AC21A

400V	A	250
500V	A	250
690V	A	250

AC22A

400V	A	250
500V	A	250
690V	A	250

AC23A

400V	A	250
500V	A	250
690V	A	250

Power dissipation per pole max	W	6.5
--------------------------------	---	-----

Rated operational power AC23A

400V	kW	140
690V	kW	250

Conditional short-circuit current (rms)	kA	100
---	----	-----

Short-circuit protection with fuse	Class/A	gG/250
------------------------------------	---------	--------

Making capacity AC23A 400V	A	2500
----------------------------	---	------

Breaking capacity AC23A 400V	A	2000
------------------------------	---	------

Mechanical life	cycles	10000
-----------------	--------	-------

Mechanical features

Operating position

normal allowable	Vertical plan Any
------------------	----------------------

Terminals

type	M8 x 25
------	---------

Tightening torque for terminals

min	Nm	15
max	Nm	22
min	lbin	132
max	lbin	194

Conductor section

IEC min	mm ²	70
---------	-----------------	----

IEC max	mm ²	185
AWG/kcmil min		00
AWG/kcmil max		400

Ambient conditions

Operating temperature

min	°C	-25
max	°C	+55

Storage temperature

min	°C	-40
max	°C	+70

Max altitude

m	3000
---	------

Resistance & Protection

Frontal IP degree

IP65

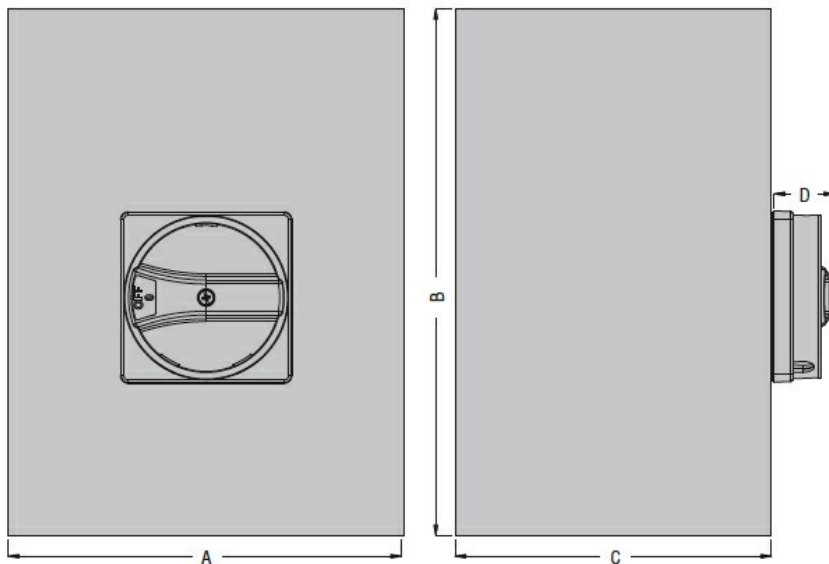
IP degree of protection

IP65

Pollution degree

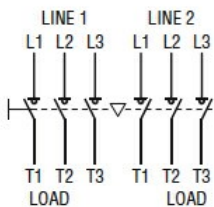
3

Dimensions



Type	A	B	C	D
GLZM0160 E...GLZM0315 E...	300 (11.81")	400 (15.75")	250 (9.84")	45,7 (1.80")

Wiring diagrams



Certifications and compliance

Compliance

IEC/EN 60947-1
IEC/EN 60947-6-1

ETIM classification

ETIM 8.0

EC000216 -
Switch
disconnecter