



Product designation				Enclosed switch disconnectors
Product type designation				GLZM
Number of poles		Nr.	3	
Operating voltage type			AC	
<b>Contact characteristics</b>				
IEC Conventional free air thermal current I <sub>th</sub>		A	200	
Rated insulation voltage U <sub>i</sub> IEC/EN		V	1000	
Rated impulse withstand voltage U <sub>imp</sub>		kV	12	
Operating current I <sub>e</sub>				
	AC21A			
		400V	A	250
		500V	A	250
		690V	A	250
	AC22A			
		400V	A	250
		500V	A	250
		690V	A	250
	AC23A			
		400V	A	250
		500V	A	250
		690V	A	250
Power dissipation per pole max			W	6.5
Rated operational power AC23A				
		400V	kW	140
		690V	kW	250
Conditional short-circuit current (rms)			kA	100
Short-circuit protection with fuse			Class/A	gG/250
Making capacity AC23A 400V			A	2500
Breaking capacity AC23A 400V			A	2000
Mechanical life			cycles	10000
<b>Mechanical features</b>				
Operating position		normal allowable	Vertical plan Any	
Terminals		type	M8 x 25	
Tightening torque for terminals				
		min	Nm	15
		max	Nm	22
		min	lbin	132
		max	lbin	194
Conductor section				
		IEC min	mm <sup>2</sup>	70
		IEC max	mm <sup>2</sup>	185

AWG/kcmil min	00
AWG/kcmil max	400

**Ambient conditions**

Operating temperature

min	°C	-25
max	°C	+55

Storage temperature

min	°C	-40
max	°C	+70

Max altitude

m	3000
---	------

**Resistance & Protection**

Frontal IP degree

IP65

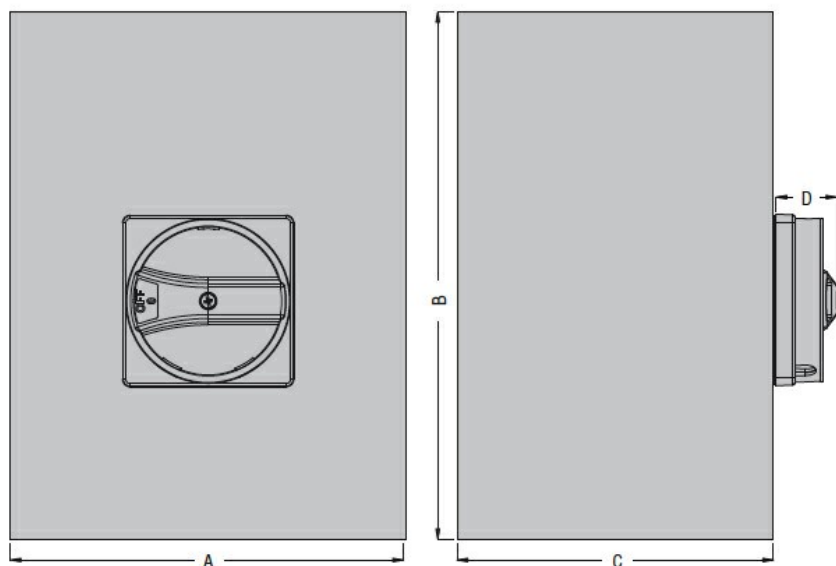
IP degree of protection

IP65

Pollution degree

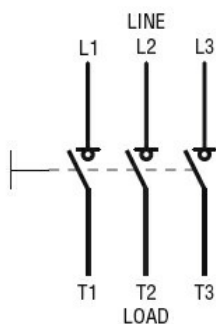
3

**Dimensions**



Type	A	B	C	D
GLZM0160...GLZM0315...	300 (11.81")	400 (15.75")	250 (9.84")	45,7 (1.80")

**Wiring diagrams**



**Certifications and compliance**

Compliance

IEC/EN 60947-1

IEC/EN 60947-3

**ETIM classification**

ETIM 8.0

EC000216 -  
Switch  
disconnecter