



Enclosed
changeover
switch
GLZM

Product designation				
Product type designation				
Number of poles	Nr.			3
Operating voltage type				AC
Contact characteristics				
IEC Conventional free air thermal current I _{th}	A			160
Rated insulation voltage U _i IEC/EN	V			1000
Rated impulse withstand voltage U _{imp}	kV			12
Operating current I _e				
AC21A				
		400V	A	160
		500V	A	160
		690V	A	160
AC22A				
		400V	A	160
		500V	A	160
		690V	A	160
AC23A				
		400V	A	160
		500V	A	160
		690V	A	160
Power dissipation per pole max			W	3.2
Rated operational power AC23A				
		400V	kW	90
		690V	kW	134
Conditional short-circuit current (rms)			kA	100
Short-circuit protection with fuse			Class/A	gG/160
Making capacity AC23A 400V			A	1600
Breaking capacity AC23A 400V			A	1280
Mechanical life			cycles	10000
Mechanical features				
Operating position		normal allowable		Vertical plan Any
Terminals		type		M8 x 25
Tightening torque for terminals				
		min	Nm	15
		max	Nm	22
		min	lbin	132
		max	lbin	194
Conductor section		IEC min	mm ²	70

IEC max	mm ²	185
AWG/kcmil min		00
AWG/kcmil max		400

Ambient conditions

Operating temperature

min	°C	-25
max	°C	+55

Storage temperature

min	°C	-40
max	°C	+70

Max altitude

m	3000
---	------

Resistance & Protection

Frontal IP degree

IP65

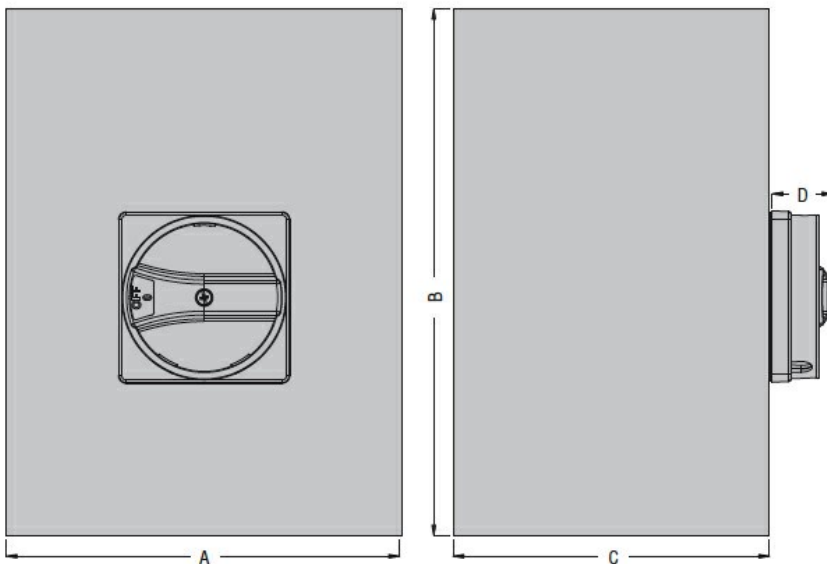
IP degree of protection

IP65

Pollution degree

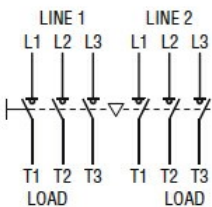
3

Dimensions



Type	A	B	C	D
GLZM0160 E...GLZM0315 E...	300 (11.81")	400 (15.75")	250 (9.84")	45,7 (1.80")

Wiring diagrams



Certifications and compliance

Compliance

IEC/EN 60947-1
IEC/EN 60947-6-1

ETIM classification

ETIM 8.0

EC000216 -
Switch
disconnecter