



Product designation				Enclosed switch disconnecter
Product type designation				GLZM
Number of poles		Nr.		3
Operating voltage type				AC
Contact characteristics				
IEC Conventional free air thermal current I _{th}		A		160
Rated insulation voltage U _i IEC/EN		V		1000
Rated impulse withstand voltage U _{imp}		kV		12
Operating current I _e				
	AC21A			
		400V	A	160
		500V	A	160
		690V	A	160
	AC22A			
		400V	A	160
		500V	A	160
		690V	A	160
	AC23A			
		400V	A	160
		500V	A	160
		690V	A	160
Power dissipation per pole max		W		3.2
Rated operational power AC23A				
		400V	kW	90
		690V	kW	134
Conditional short-circuit current (rms)		kA		100
Short-circuit protection with fuse		Class/A		gG/160
Making capacity AC23A 400V		A		1600
Breaking capacity AC23A 400V		A		1280
Mechanical life		cycles		10000
Mechanical features				
Operating position		normal allowable		Vertical plan Any
Terminals		type		M8 x 25
Tightening torque for terminals				
		min	Nm	15
		max	Nm	22
		min	lbin	132
		max	lbin	194
Conductor section				
		IEC min	mm ²	70
		IEC max	mm ²	185

AWG/kcmil min 00
AWG/kcmil max 400

Ambient conditions

Operating temperature

min °C -25
max °C +55

Storage temperature

min °C -40
max °C +70

Max altitude

m 3000

Resistance & Protection

Frontal IP degree

IP65

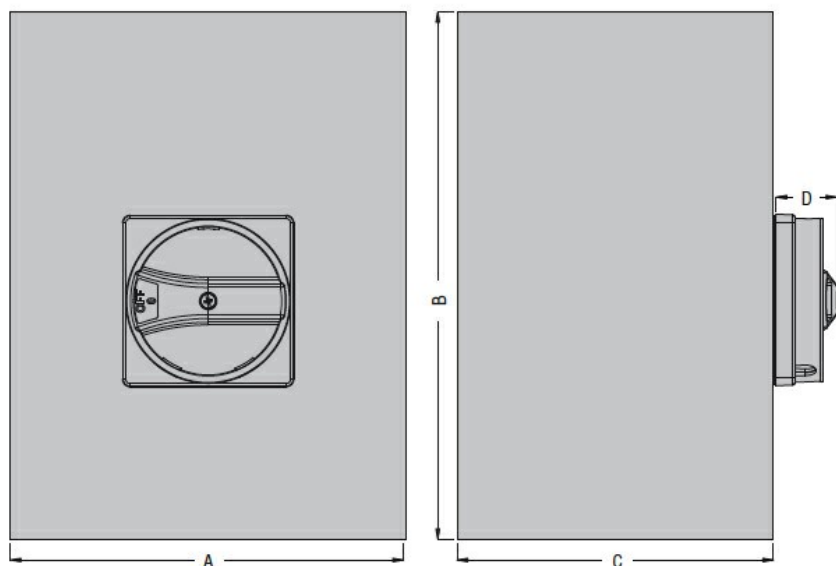
IP degree of protection

IP65

Pollution degree

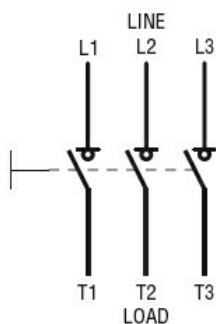
3

Dimensions



Type	A	B	C	D
GLZM0160...GLZM0315...	300 (11.81")	400 (15.75")	250 (9.84")	45,7 (1.80")

Wiring diagrams



Certifications and compliance

Compliance

IEC/EN 60947-1

IEC/EN 60947-3

ETIM classification

ETIM 8.0

EC000216 -
Switch
disconnecter