



Product designation				Switch disconnecter
Product type designation				GLD...UL
Number of poles		Nr.	4	
Operating voltage type			DC	
Contact characteristics				
IEC Conventional free air thermal current I _{th}		A	200	
Rated insulation voltage U _i IEC/EN		V	1500	
Operating current I _e				
	DC21B			
		600V	A	200
		800V	A	200
		1000V	A	200
		1200V	A	200
		1500V	A	200
DCPV1				
		Operating current I _e 600V	A	200
		Operating current I _e 800V	A	200
		Operating current I _e 1200V	A	200
		Operating current I _e 1500V	A	200
	DCPV1			
		600V	A	200
		800V	A	200
		1200V	A	200
		1500V	A	200
	UL98B			
		1000V	A	200
		1500V	A	200
Mechanical features				
Operating position		normal allowable	Vertical plan Any	
Fixing			Screw / DIN rail 35mm	
Terminals		type	M8 x 25	
Tightening torque for terminals		min	Nm	15
		max	Nm	22
		min	I _{bin}	132
		max	I _{bin}	194
Conductor section		IEC min	mm ²	70
		IEC max	mm ²	185
		AWG/kcmil min		00
		AWG/kcmil max		400

Ambient conditions

Operating temperature

min	°C	-25
max	°C	+55

Storage temperature

min	°C	-40
max	°C	+70

Max altitude

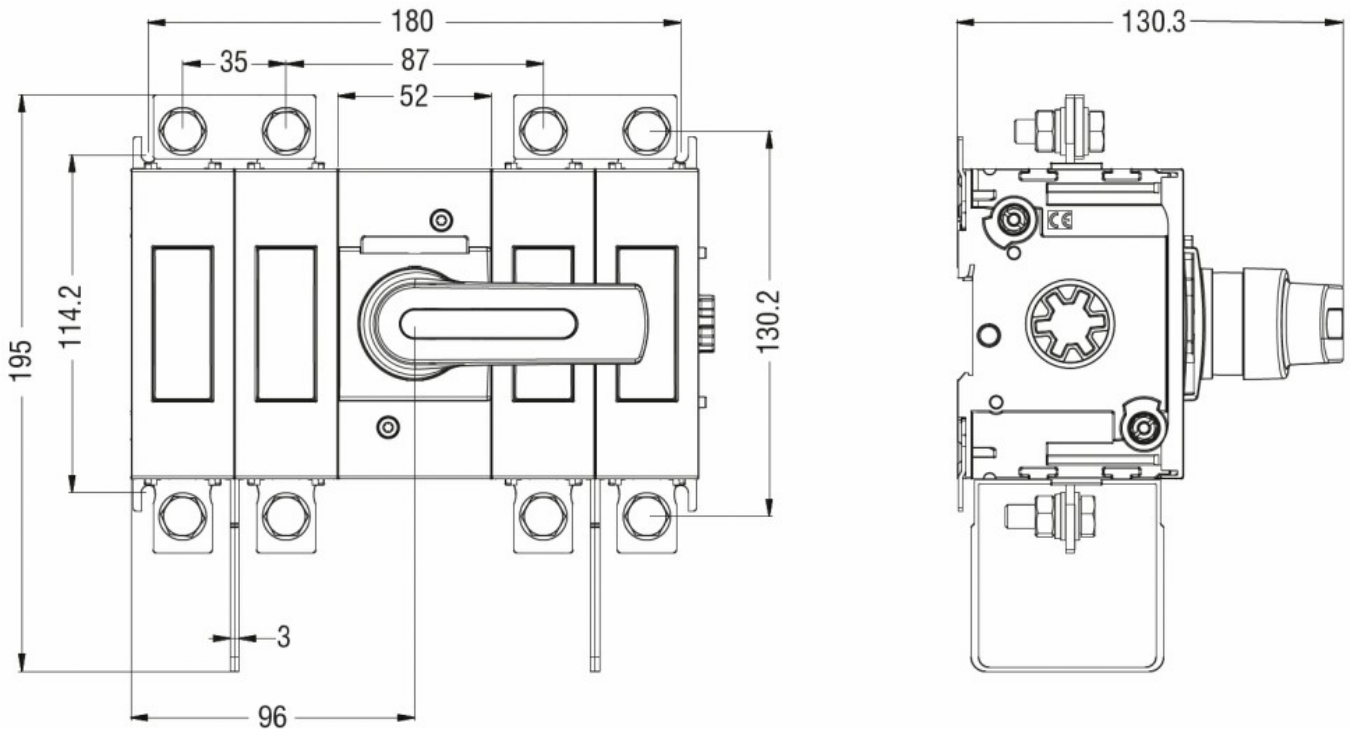
m	3000
---	------

Resistance & Protection

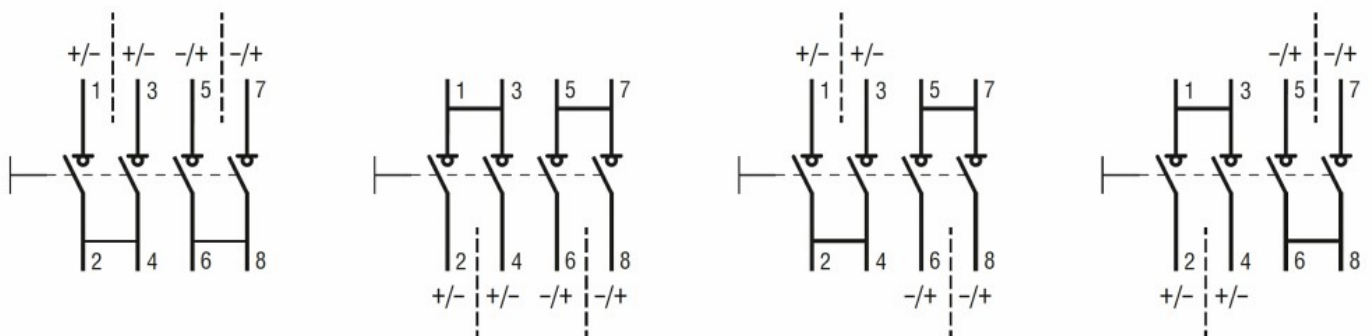
Pollution degree

3

Dimensions



Wiring diagrams



----- Phase barriers
——— Metal connection

Certifications and compliance

Compliance

IEC/EN/BS 60947-1
IEC/EN/BS 60947-3
UL98B

Certifications

UL

ETIM classification

ETIM 8.0

EC000216 -
Switch
disconnector