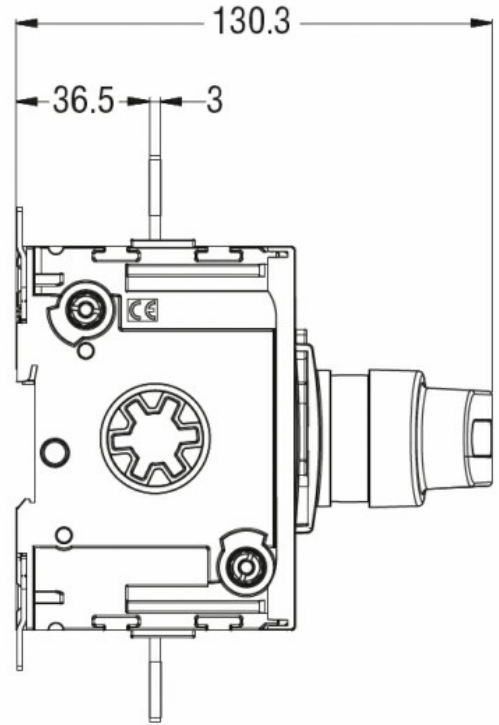
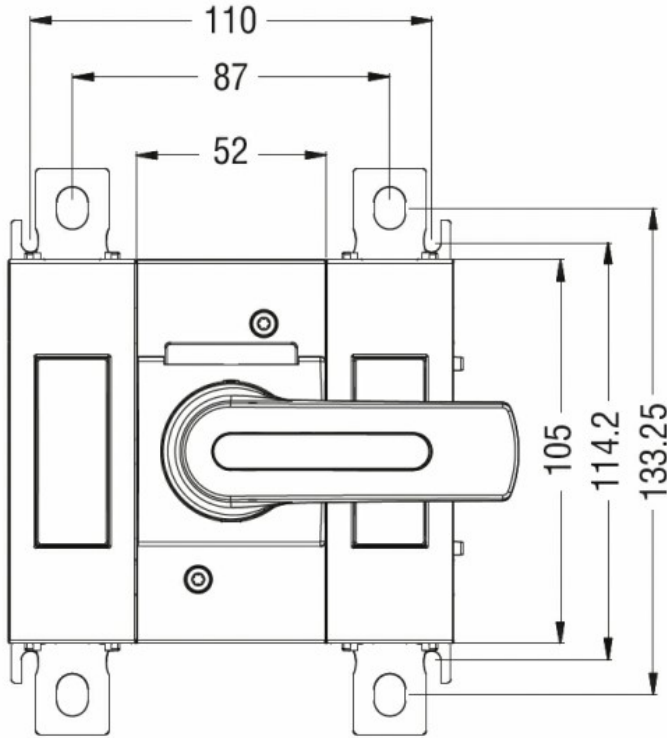


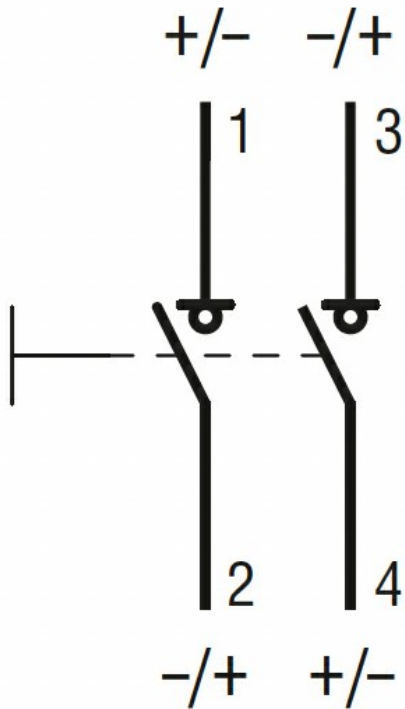


Product designation				Switch disconnecter
Product type designation				GLD...UL
Number of poles		Nr.	2	
Operating voltage type				DC
<b>Contact characteristics</b>				
IEC Conventional free air thermal current I <sub>th</sub>		A	200	
Rated insulation voltage U <sub>i</sub> IEC/EN		V	1000	
Operating current I <sub>e</sub>				
DC21B				
	600V	A	200	
	800V	A	200	
	1000V	A	200	
DCPV1				
	Operating current I <sub>e</sub> 600V	A	200	
	Operating current I <sub>e</sub> 800V	A	200	
DCPV1				
	600V	A	200	
	800V	A	200	
UL98B				
	1000V	A	200	
<b>Mechanical features</b>				
Operating position		normal allowable	Vertical plan Any	
Fixing				Screw / DIN rail 35mm
Terminals		type	M8 x 25	
Tightening torque for terminals				
	min	Nm	15	
	max	Nm	22	
	min	lbin	132	
	max	lbin	194	
Conductor section				
	IEC min	mm <sup>2</sup>	70	
	IEC max	mm <sup>2</sup>	185	
	AWG/kcmil min		00	
	AWG/kcmil max		400	
<b>Ambient conditions</b>				
Operating temperature				
	min	°C	-25	
	max	°C	+55	
Storage temperature				
	min	°C	-40	
	max	°C	+70	

Max altitude	m	3000
<b>Resistance &amp; Protection</b>		
Pollution degree		3
<b>Dimensions</b>		



**Wiring diagrams**



**Certifications and compliance**

Compliance IEC/EN/BS 60947-1

---

IEC/EN/BS 60947-3  
UL98B

---

Certifications

UL

ETIM classification

ETIM 8.0

EC000216 -  
Switch  
disconnecter