

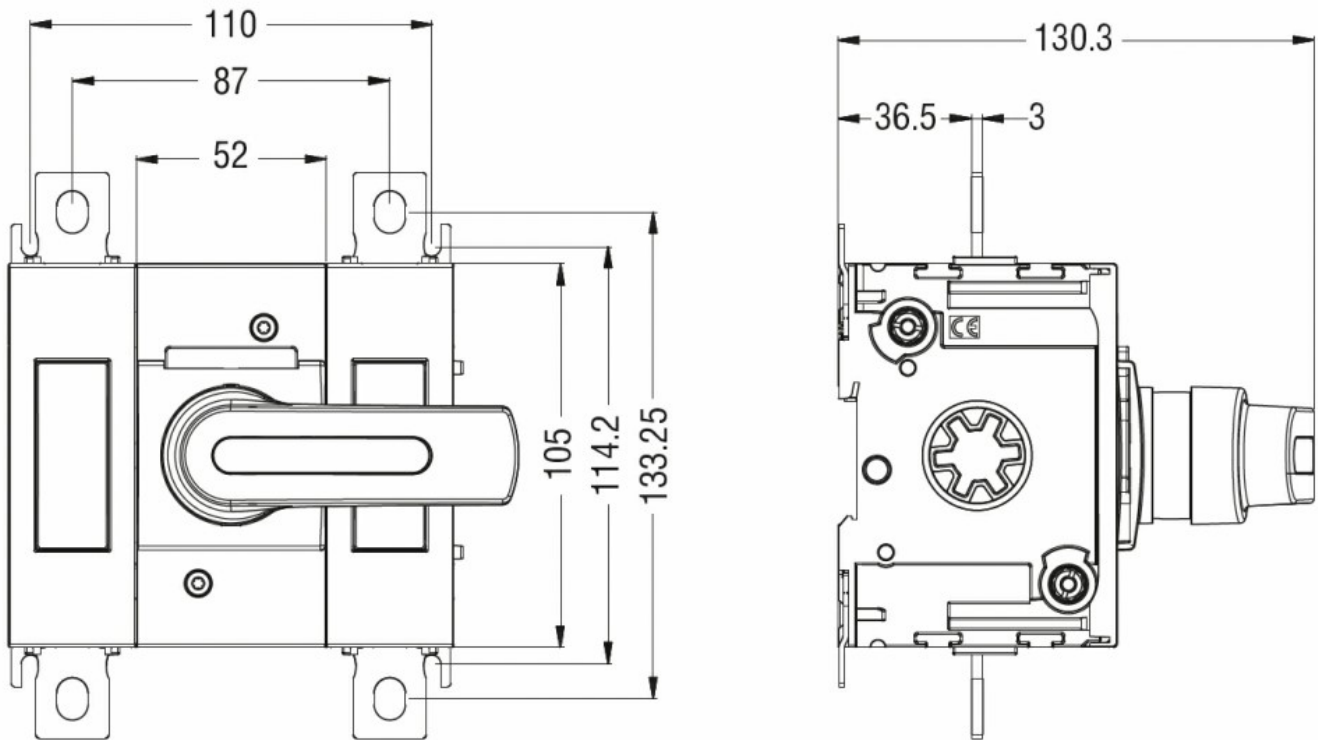


Product designation				Switch disconnecter
Product type designation				GLD
Number of poles		Nr.		2
Operating voltage type				DC
<b>Contact characteristics</b>				
IEC Conventional free air thermal current I <sub>th</sub>		A		160
Rated insulation voltage U <sub>i</sub> IEC/EN		V		1000
Operating current I <sub>e</sub>				
	DC21B			
		600V	A	160
		800V	A	160
		1000V	A	160
DCPV1				
		Operating current I <sub>e</sub> 600V	A	160
		Operating current I <sub>e</sub> 800V	A	160
	DCPV1			
		600V	A	160
		800V	A	160
<b>Mechanical features</b>				
Operating position		normal allowable		Vertical plan Any
Fixing				Screw / DIN rail 35mm
Terminals		type		M8 x 25
Tightening torque for terminals		min	Nm	15
		max	Nm	22
		min	lbin	132
		max	lbin	194
Conductor section		IEC min	mm <sup>2</sup>	70
		IEC max	mm <sup>2</sup>	185
		AWG/kcmil min		00
		AWG/kcmil max		400
<b>Ambient conditions</b>				
Operating temperature		min	°C	-25
		max	°C	+55
Storage temperature		min	°C	-40
		max	°C	+70
Max altitude			m	3000
<b>Resistance &amp; Protection</b>				

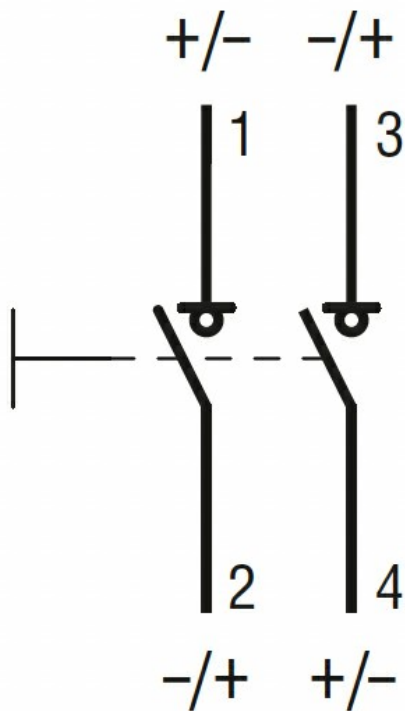
Pollution degree

3

**Dimensions**



**Wiring diagrams**



**Certifications and compliance**

Compliance

IEC/EN/BS 60947-1

IEC/EN/BS 60947-3

UL98B

---

Certifications

CE

ETIM classification

ETIM 8.0

EC000216 -  
Switch  
disconnecter