



Product designation				Switch disconnectors
Product type designation				GLD...UL
Number of poles		Nr.	4	
Operating voltage type				DC
<b>Contact characteristics</b>				
IEC Conventional free air thermal current I <sub>th</sub>		A	100	
Rated insulation voltage U <sub>i</sub> IEC/EN		V	1500	
Operating current I <sub>e</sub>				
DC21B				
		600V	A	100
		800V	A	100
		1000V	A	100
		1200V	A	100
		1500V	A	100
DCPV1				
	Operating current I <sub>e</sub> 600V	A	100	
	Operating current I <sub>e</sub> 800V	A	100	
	Operating current I <sub>e</sub> 1200V	A	100	
	Operating current I <sub>e</sub> 1500V	A	100	
DCPV1				
		600V	A	100
		800V	A	100
		1200V	A	100
		1500V	A	100
UL98B				
		1000V	A	100
		1500V	A	100
<b>Mechanical features</b>				
Operating position		normal allowable		Vertical plan Any
Fixing				Screw / DIN rail 35mm
Terminals		type		M8 x 25
Tightening torque for terminals		min	Nm	15
		max	Nm	22
		min	I <sub>bin</sub>	132
		max	I <sub>bin</sub>	194
Conductor section		IEC min	mm <sup>2</sup>	70
		IEC max	mm <sup>2</sup>	185
		AWG/kcmil min		00
		AWG/kcmil max		400

**Ambient conditions**

Operating temperature

min	°C	-25
max	°C	+55

Storage temperature

min	°C	-40
max	°C	+70

Max altitude

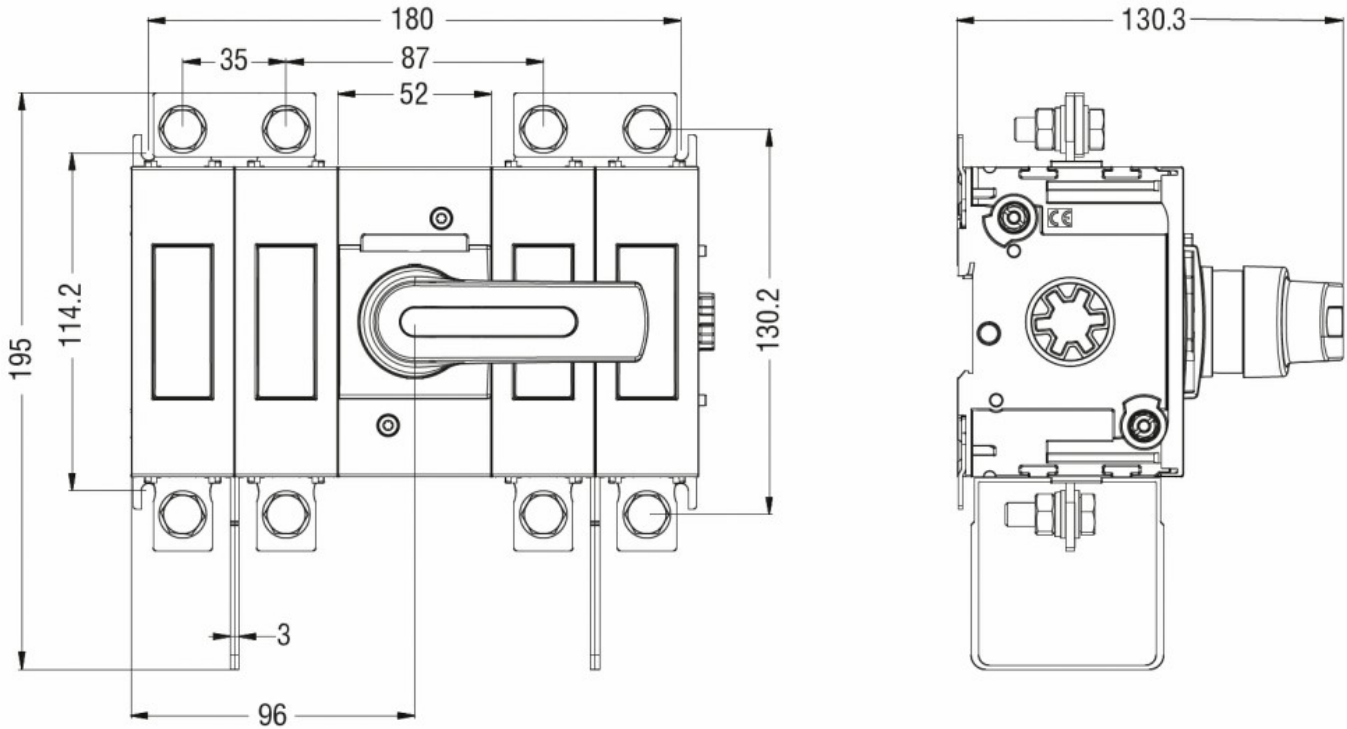
m	3000
---	------

**Resistance & Protection**

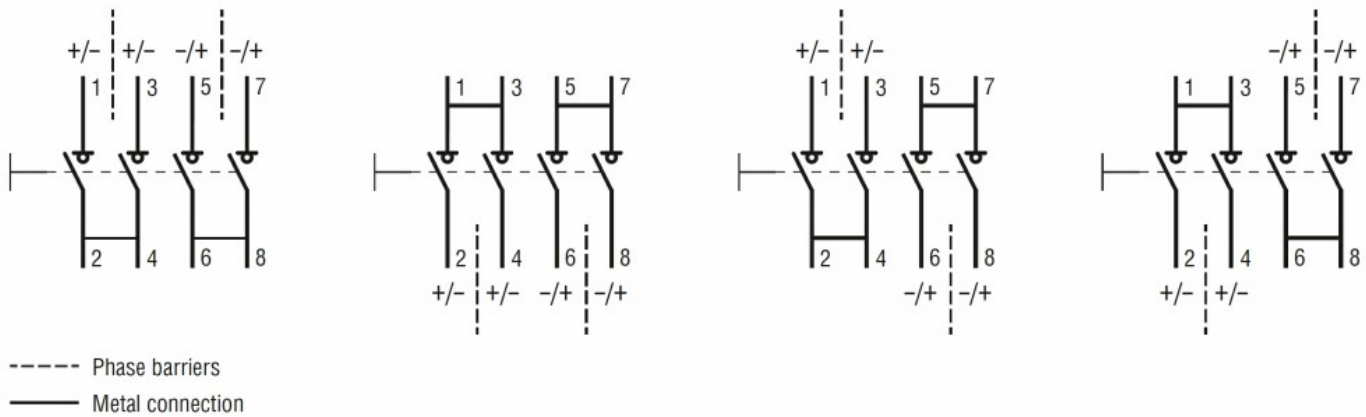
Pollution degree

3

**Dimensions**



**Wiring diagrams**



**Certifications and compliance**

Compliance

IEC/EN/BS 60947-1  
IEC/EN/BS 60947-3  
UL98B

Certifications

UL

ETIM classification

ETIM 8.0

EC000216 -  
Switch  
disconnecter