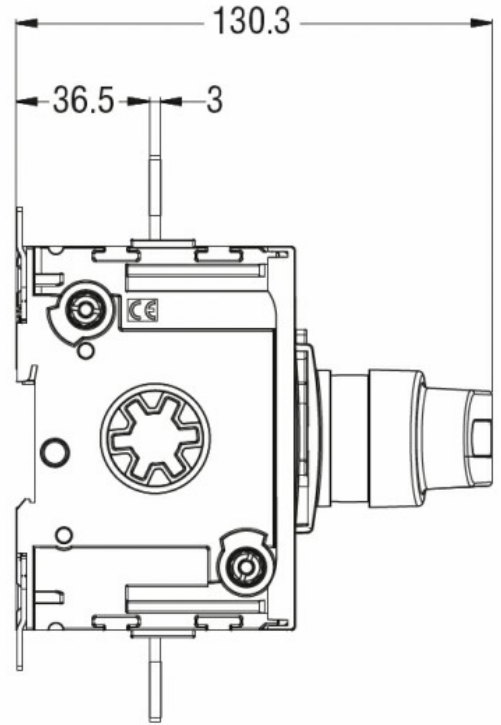
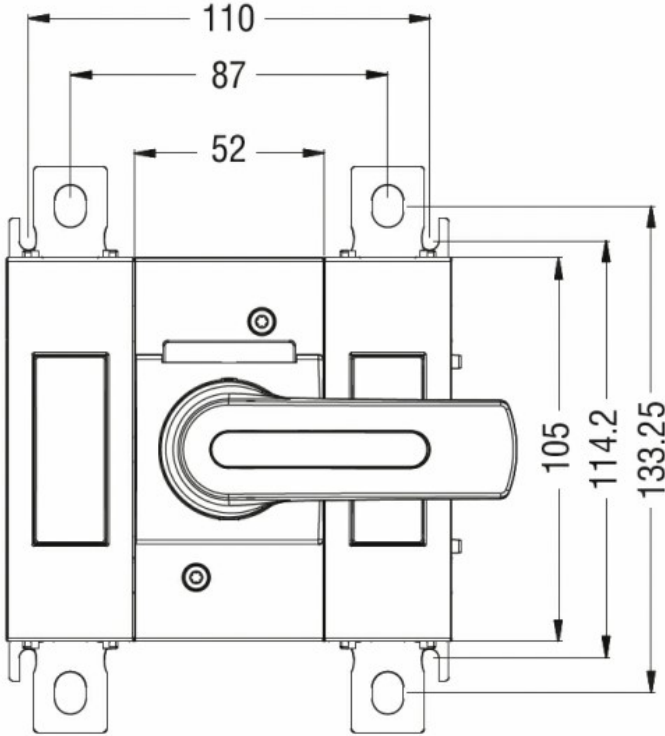


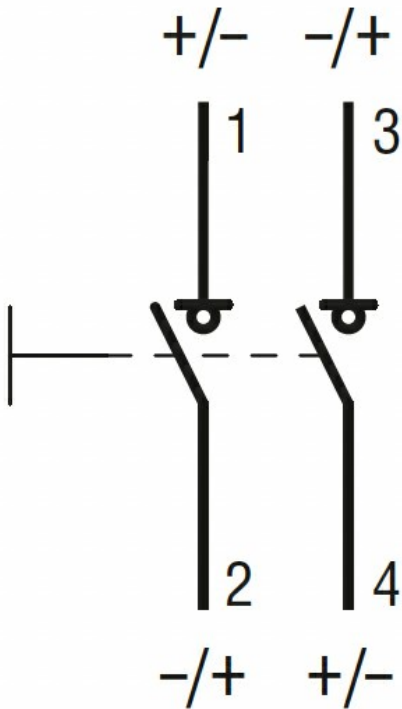


Product designation				Switch disconnecter
Product type designation				GLD...UL
Number of poles		Nr.	2	
Operating voltage type				DC
Contact characteristics				
IEC Conventional free air thermal current I _{th}		A	100	
Rated insulation voltage U _i IEC/EN		V	1000	
Operating current I _e				
DC21B				
	600V	A	100	
	800V	A	100	
	1000V	A	100	
DCPV1				
	Operating current I _e 600V	A	100	
	Operating current I _e 800V	A	100	
DCPV1				
	600V	A	100	
	800V	A	100	
UL98B				
	1000V	A	100	
Mechanical features				
Operating position		normal allowable	Vertical plan Any	
Fixing				Screw / DIN rail 35mm
Terminals		type	M8 x 25	
Tightening torque for terminals				
	min	Nm	15	
	max	Nm	22	
	min	lbin	132	
	max	lbin	194	
Conductor section				
	IEC min	mm ²	70	
	IEC max	mm ²	185	
	AWG/kcmil min		00	
	AWG/kcmil max		400	
Ambient conditions				
Operating temperature				
	min	°C	-25	
	max	°C	+55	
Storage temperature				
	min	°C	-40	
	max	°C	+70	

Max altitude	m	3000
Resistance & Protection		
Pollution degree		3
Dimensions		



Wiring diagrams



Certifications and compliance

Compliance IEC/EN/BS 60947-1

IEC/EN/BS 60947-3
UL98B

Certifications

UL

ETIM classification

ETIM 8.0

EC000216 -
Switch
disconnector