



| | | | | |
|---|--------|------------------|------|-------------------|
| Product designation | | | | Changeover Switch |
| Product type designation | | | | GLC |
| Number of poles | | Nr. | | 3 |
| Operating voltage type | | | | AC |
| Contact characteristics | | | | |
| IEC Conventional free air thermal current I _{th} | | A | | 160 |
| Rated insulation voltage U _i IEC/EN | | V | | 1000 |
| Rated impulse withstand voltage U _{imp} | | kV | | 12 |
| Operating current I _e | | | | |
| | AC-31B | | | |
| | | 400V | A | 160 |
| | | 500V | A | 160 |
| | | 690V | A | 160 |
| | AC-32B | | | |
| | | 400V | A | 160 |
| | | 500V | A | 160 |
| | | 690V | A | 160 |
| | AC-33B | | | |
| | | 400V | A | 160 |
| | | 500V | A | 160 |
| | | 690V | A | 160 |
| Power dissipation per pole max | | W | | 3.2 |
| Rated operational power AC23A | | | | |
| | | 400V | kW | 90 |
| | | 690V | kW | 144 |
| Rated short time current (1s) I _{cs} (rms) | | kA | | 6 |
| Rated short time current (0.3s) I _{cs} (rms) | | kA | | 12 |
| Conditional short-circuit current (rms) | | kA | | 100 |
| Short-circuit protection with fuse | | Class/A | | gG/160 |
| Making capacity AC23A 400V | | A | | 1600 |
| Breaking capacity AC23A 400V | | A | | 1280 |
| Mechanical life | | cycles | | 20000 |
| Mechanical features | | | | |
| Operating position | | normal allowable | | Vertical plan Any |
| Fixing | | | | Screw |
| Terminals | | type | | M8 x 20 |
| Tightening torque for terminals | | | | |
| | | min | Nm | 15 |
| | | max | Nm | 22 |
| | | min | lbin | 132 |
| | | max | lbin | 194 |

Conductor section

| | | |
|---------------|-----------------|-----|
| IEC min | mm ² | 70 |
| IEC max | mm ² | 185 |
| AWG/kcmil min | | 00 |
| AWG/kcmil max | | 400 |

Ambient conditions

Operating temperature

| | | |
|-----|----|-----|
| min | °C | -25 |
| max | °C | +55 |

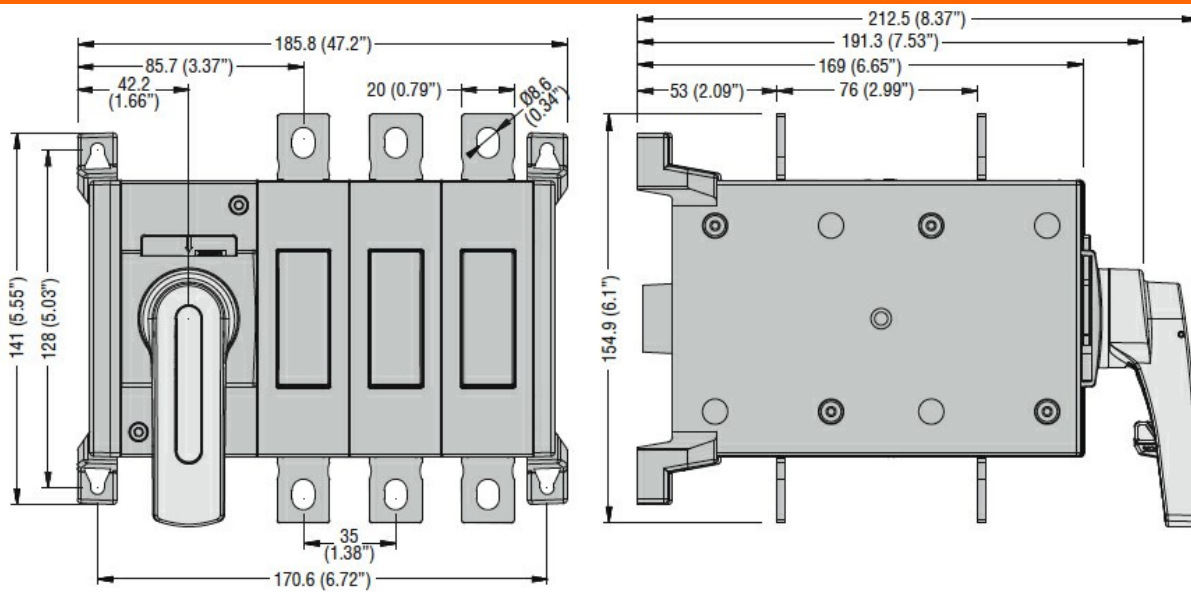
Storage temperature

| | | |
|-----|----|-----|
| min | °C | -40 |
| max | °C | +70 |

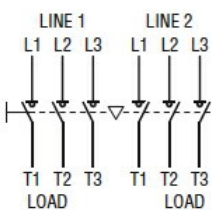
Max altitude

| | |
|---|------|
| m | 3000 |
|---|------|

Dimensions



Wiring diagrams



Certifications and compliance

Compliance

IEC/EN 60947-1
IEC/EN 60947-3
IEC/EN 60947-6-1

ETIM classification

ETIM 8.0

EC000216 -
Switch
disconnecter