



Product designation				Switch disconnecter
Product type designation				GL
Number of poles	Nr.			3
Operating voltage type				AC
Contact characteristics				
IEC Conventional free air thermal current I _{th}	A			315
Rated insulation voltage U _i IEC/EN	V			1000
Rated impulse withstand voltage U _{imp}	kV			12
Operating current I _e				
AC21A	400V	A	315	
	500V	A	315	
	690V	A	315	
AC22A	400V	A	315	
	500V	A	315	
	690V	A	315	
AC23A	400V	A	315	
	500V	A	250	
	690V	A	250	
Power dissipation per pole max	W			6.5
Rated operational power AC23A	400V	kW	140	
	690V	kW	250	
Reactive power for control of capacitors at	400V	kvar	145	
Rated short time current (1s) I _{cw} (rms)	kA			6
Rated short time current (0.3s) I _{cw} (rms)	kA			12
Conditional short-circuit current (rms)	kA			100
Short-circuit protection with fuse	Class/A			gG/315
Making capacity AC23A 400V	A			2500
Breaking capacity AC23A 400V	A			2000
Mechanical life	cycles			20000
Mechanical features				
Operating position	normal allowable	Vertical plan Any		
Fixing				Screw
Terminals	type	M8 x 25		
Tightening torque for terminals	min	Nm	15	
	max	Nm	22	

min	lbin	132
max	lbin	194

Conductor section

IEC min	mm ²	70
IEC max	mm ²	185
AWG/kcmil min		00
AWG/kcmil max		400

Ambient conditions

Operating temperature

min	°C	-25
max	°C	+55

Storage temperature

min	°C	-40
max	°C	+70

Max altitude

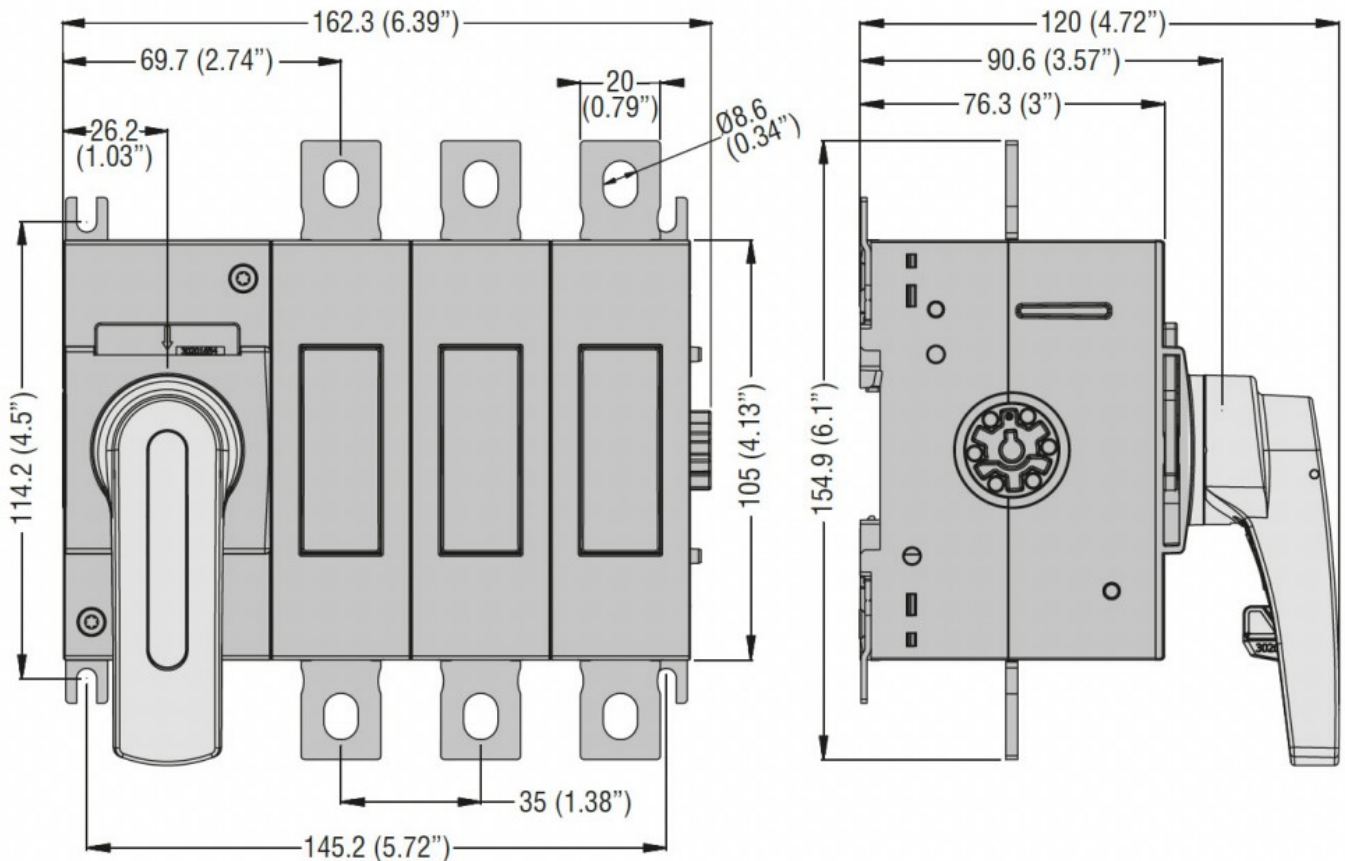
m	3000
---	------

Resistance & Protection

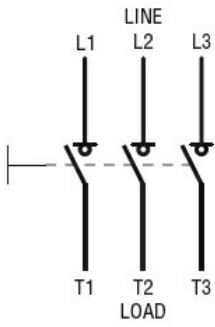
Pollution degree

3

Dimensions



Wiring diagrams



Certifications and compliance

Compliance

IEC/EN 60947-1

IEC/EN 60947-3

ETIM classification

ETIM 8.0

EC000216 -
Switch
disconnecter