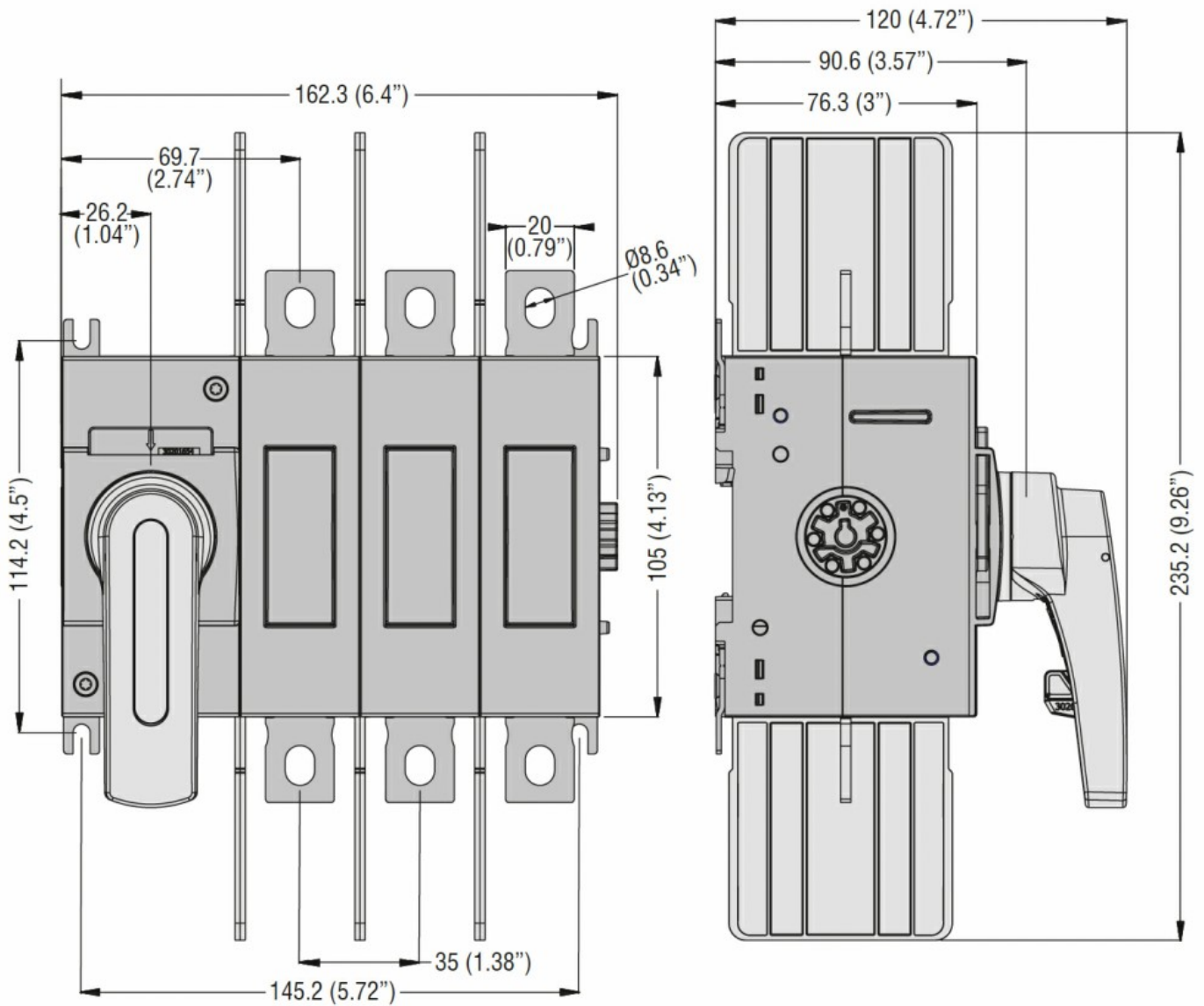


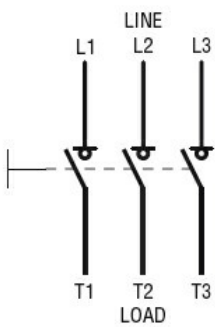


Product designation				Switch disconnecter
Product type designation				GL UL
Number of poles		Nr.	3	
Operating voltage type			AC	
Contact characteristics				
IEC Conventional free air thermal current I _{th}		A	200	
Rated insulation voltage U _i IEC/EN		V	1000	
Rated impulse withstand voltage U _{imp}		kV	12	
Operating current I _e				
	AC21A			
		400V	A	200
		500V	A	200
		690V	A	200
	AC22A			
		400V	A	200
		500V	A	200
		690V	A	200
	AC23A			
		400V	A	200
		500V	A	200
		690V	A	200
Power dissipation per pole max			W	4
Rated operational power AC23A				
		400V	kW	110
		690V	kW	200
Reactive power for control of capacitors at				
		400V	kvar	100
Rated short time current (1s) I _{cw} (rms)			kA	6
Rated short time current (0.3s) I _{cw} (rms)			kA	12
Conditional short-circuit current (rms)			kA	100
Short-circuit protection with fuse			Class/A	J/200
Making capacity AC23A 400V			A	2000
Breaking capacity AC23A 400V			A	1600
Mechanical life			cycles	20000
Mechanical features				
Operating position			normal allowable	Vertical plan Any
Fixing				Screw / DIN rail 35mm
Terminals			type	M8 x 25
Tightening torque for terminals			min Nm	15

	max	Nm	22
	min	lbin	132
	max	lbin	194
Conductor section			
	IEC min	mm ²	70
	IEC max	mm ²	185
	AWG/kcmil min		00
	AWG/kcmil max		400
UL technical data			
UL Standard			UL98
General purpose current rating		A	200
Operating voltage max		V	600
Horsepower/FLA current three phase motor			
	240V	HP	75/192
	480V	HP	150/180
	600V	HP	200/192
Short circuit rating		kA rms	200
Short circuit rating with fuse		Class/A	J/200
UL Terminal kit lugs			GLX500 - GLX501
Minimum enclosure dimensions at rated current			
	mm	mm	400 x 250 x 150
	in	in	15,8 x 9,9 x 5,9
Ambient conditions			
Operating temperature			
	min	°C	-25
	max	°C	+55
Storage temperature			
	min	°C	-40
	max	°C	+70
Max altitude		m	3000
Dimensions			



Wiring diagrams



Certifications and compliance

Compliance

IEC/EN 60947-1
 IEC/EN 60947-3

Certifications

cULus

ETIM classification

ETIM 8.0

EC000216 -
Switch
disconnector