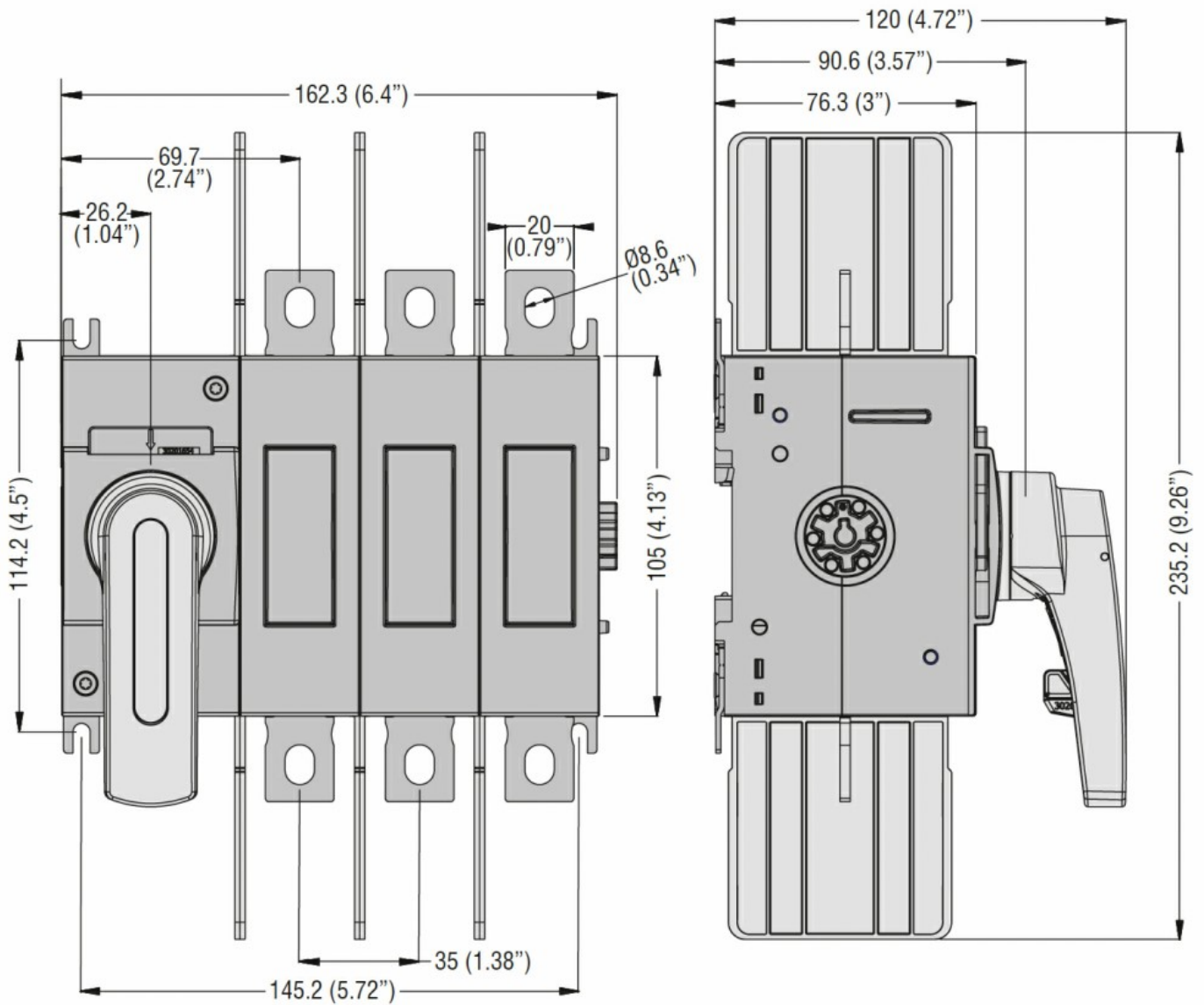


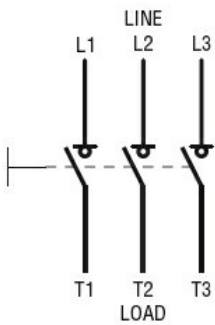


Product designation				Switch disconnecter
Product type designation				GL UL
Number of poles		Nr.		3
Operating voltage type				AC
Contact characteristics				
IEC Conventional free air thermal current I _{th}		A		160
Rated insulation voltage U _i IEC/EN		V		1000
Rated impulse withstand voltage U _{imp}		kV		12
Operating current I _e				
	AC21A			
		400V	A	160
		500V	A	160
		690V	A	160
	AC22A			
		400V	A	160
		500V	A	160
		690V	A	160
	AC23A			
		400V	A	160
		500V	A	160
		690V	A	160
Power dissipation per pole max		W		4
Rated operational power AC23A				
		400V	kW	90
		690V	kW	134
Rated short time current (1s) I _{cs} (rms)		kA		6
Rated short time current (0.3s) I _{cs} (rms)		kA		12
Conditional short-circuit current (rms)		kA		100
Short-circuit protection with fuse		Class/A		gG/160
Making capacity AC23A 400V		A		1600
Breaking capacity AC23A 400V		A		1280
Mechanical life		cycles		20000
Mechanical features				
Operating position		normal allowable		Vertical plan Any
Fixing				Screw / DIN rail 35mm
Terminals		type		M8 x 25
Tightening torque for terminals				
		min	Nm	15
		max	Nm	22
		min	Ibin	132

	max	lbin	194
Conductor section			
	IEC min	mm ²	70
	IEC max	mm ²	185
	AWG/kcmil min		00
	AWG/kcmil max		400
UL technical data			
UL Standard			UL98
General purpose current rating		A	100
Operating voltage max		V	600
Horsepower/FLA current three phase motor			
	240V	HP	30/80
	480V	HP	75/96
	600V	HP	100/99
Short circuit rating		kA rms	200
Short circuit rating with fuse		Class/A	J/100
UL Terminal kit lugs			GLX500 - GLX501
Minimum enclosure dimensions at rated current			
	mm	mm	400 x 250 x 150
	in	in	15.8 x 9.9 x 5.9
Ambient conditions			
Operating temperature			
	min	°C	-25
	max	°C	+55
Storage temperature			
	min	°C	-40
	max	°C	+70
Max altitude		m	3000
Dimensions			



Wiring diagrams



Certifications and compliance

Compliance

IEC/EN 60947-1
 IEC/EN 60947-3

Certifications

cULus

ETIM classification

ETIM 8.0

EC000216 -
Switch
disconnector