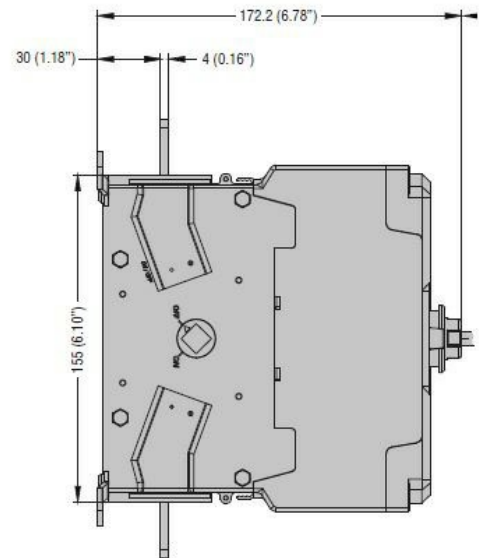
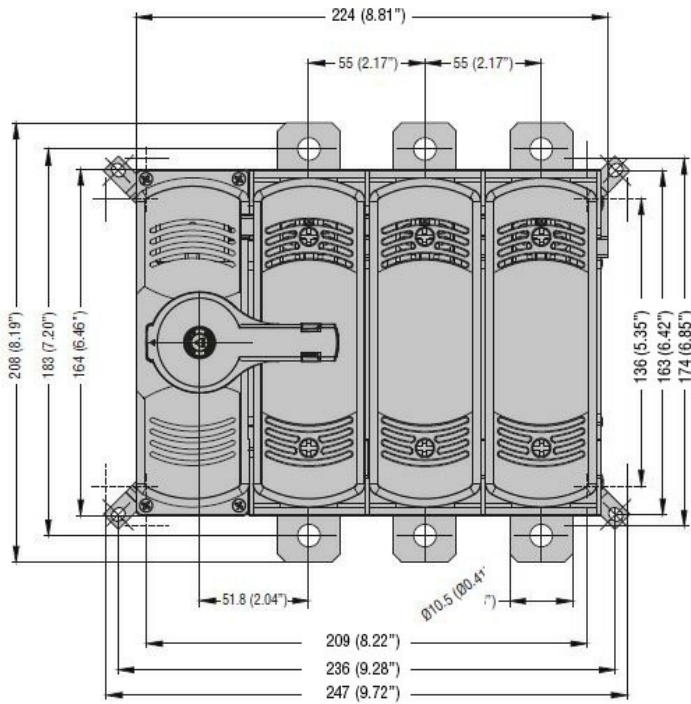


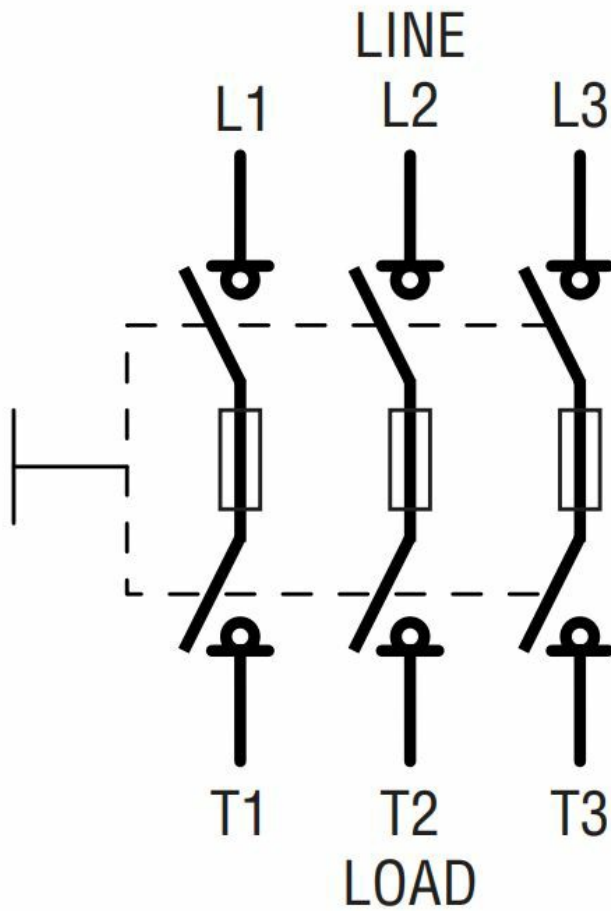


Product designation				Switch disconnecter with fuse
Product type designation				GEF
Type of fuse				NH
Number of poles	Nr.			3
Operating voltage type				AC
<b>Contact characteristics</b>				
IEC Conventional free air thermal current I <sub>th</sub>	A			250
Rated insulation voltage U <sub>i</sub> IEC/EN	V			1000
Rated impulse withstand voltage U <sub>imp</sub>	kV			12
Operating current I <sub>e</sub>				
AC21A	400V	A	250	
	500V	A	250	
AC22A	400V	A	250	
	500V	A	250	
AC23A	400V	A	250	
	500V	A	200	
Power dissipation per pole max	W			17
Conditional short-circuit current (rms)	kA			100
Making capacity AC23A 400V	A			2500
Breaking capacity AC23A 400V	A			2000
Mechanical life	cycles			8000
<b>Mechanical features</b>				
Operating position	normal allowable			Vertical plan Any
Fixing				Screw
Terminals	type			Lug terminals or bars
	width	mm	30	
	height	mm	7	
	screw			M10
Tightening torque for terminals	max	Nm	18	
	max	lbin	159	
Weight			g	3400
<b>UL technical data</b>				
Operating voltage max			V	500
<b>Ambient conditions</b>				
Operating temperature	min	°C	-25	

Storage temperature	max	°C	55
	min	°C	-40
Max altitude	max	°C	70
		m	3000
<b>Resistance &amp; Protection</b>			
Pollution degree			3
<b>Dimensions</b>			



**Wiring diagrams**



**Certifications and compliance**

Compliance

IEC/EN/BS 60947-1  
 IEC/EN/BS 60947-3

Certifications

CE  
 UKCA

**ETIM classification**

ETIM 8.0

EC000216 -  
 Switch  
 disconnecter