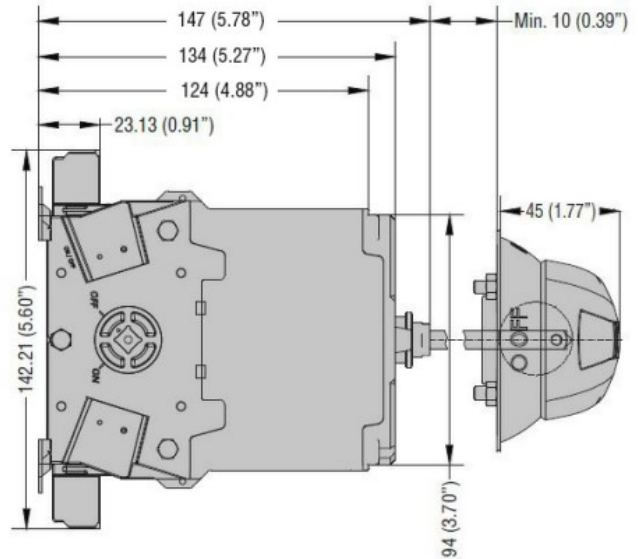
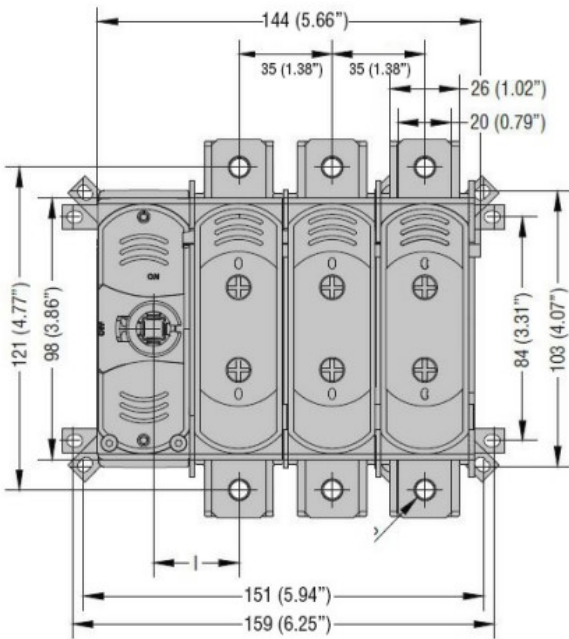


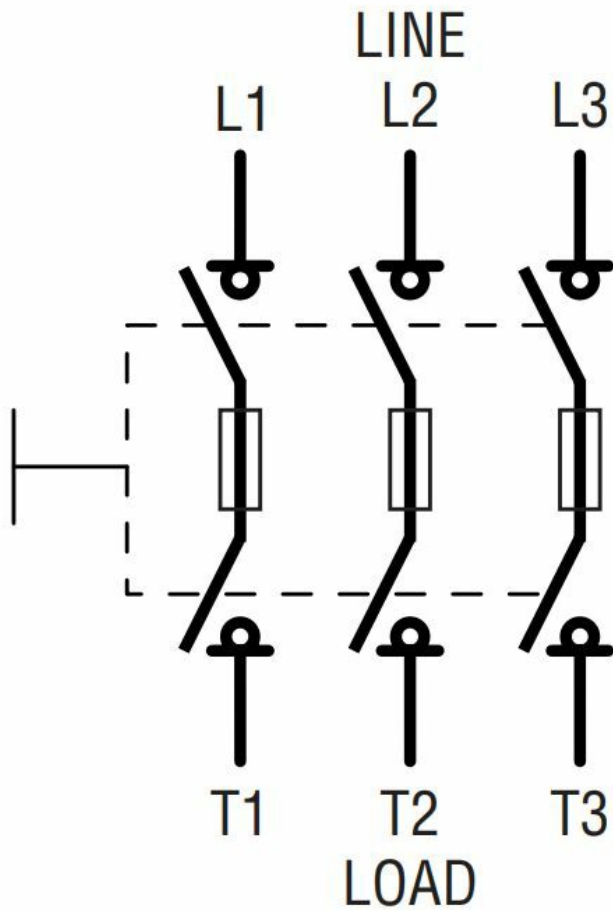


Product designation				Switch disconnecter with fuse
Product type designation				GEF
Type of fuse				NH
Number of poles	Nr.			3
Operating voltage type				AC
<b>Contact characteristics</b>				
IEC Conventional free air thermal current I <sub>th</sub>	A			160
Rated insulation voltage U <sub>i</sub> IEC/EN	V			1000
Rated impulse withstand voltage U <sub>imp</sub>	kV			8
Operating current I <sub>e</sub>				
AC21A	400V	A	160	
	500V	A	160	
AC22A	400V	A	160	
	500V	A	125	
AC23A	400V	A	160 (AC23B)	
	500V	A	125	
Power dissipation per pole max	W			11.2
Conditional short-circuit current (rms)	kA			100
Making capacity AC23A 400V	A			1600
Breaking capacity AC23A 400V	A			1280
Mechanical life	cycles			8000
<b>Mechanical features</b>				
Operating position	normal allowable		Vertical plan Any	
Fixing				Screw
Terminals	type		Lug terminals or bars	
	width	mm	25	
	height	mm	3	
	screw		M8	
Tightening torque for terminals	max	Nm	6	
	max	lbin	53	
Weight	g			1300
<b>UL technical data</b>				
Operating voltage max	V			500
<b>Ambient conditions</b>				
Operating temperature	min		°C	-25

	max	°C	55
Storage temperature	min	°C	-40
	max	°C	70
Max altitude		m	3000
<b>Resistance &amp; Protection</b>			
Pollution degree			3
<b>Dimensions</b>			



**Wiring diagrams**



**Certifications and compliance**

Compliance

IEC/EN/BS 60947-1  
 IEC/EN/BS 60947-3

Certifications

CE  
 UKCA

**ETIM classification**

ETIM 8.0

EC000216 -  
 Switch  
 disconnecter