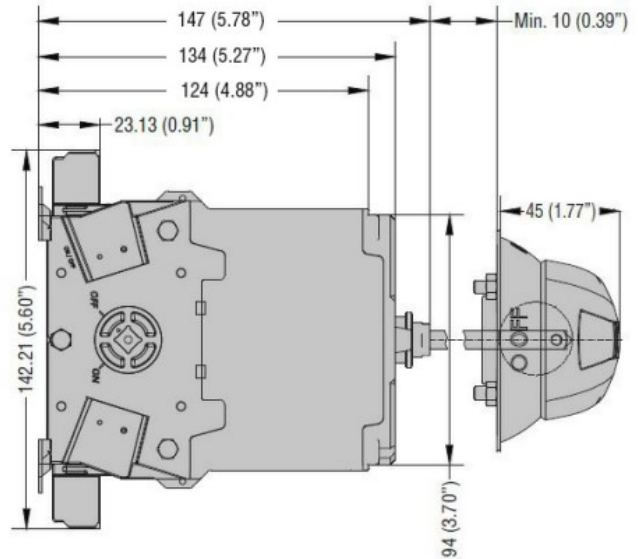
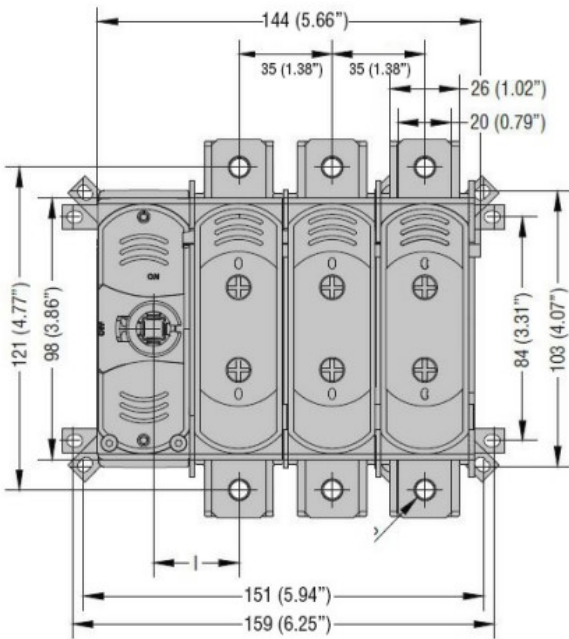


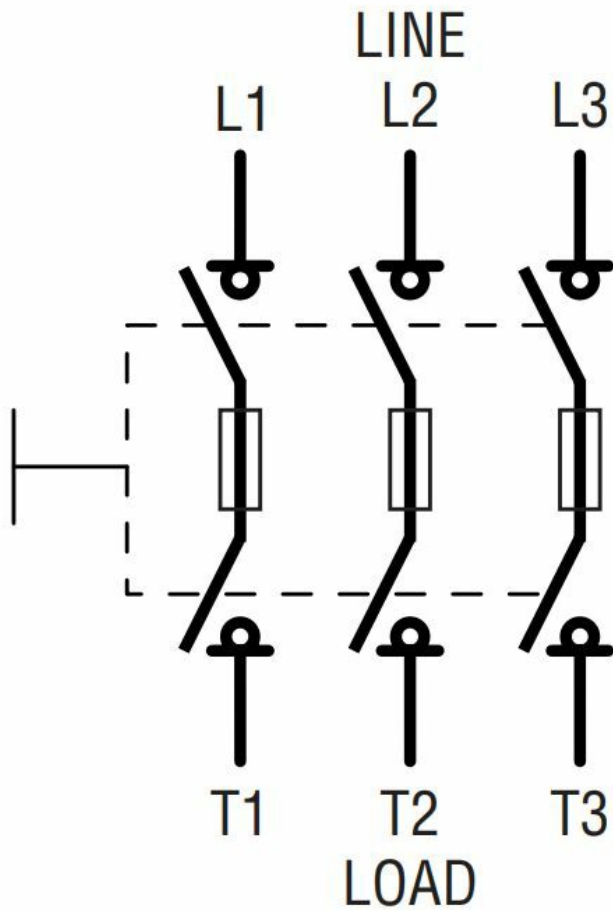


Product designation				Switch disconnecter with fuse
Product type designation				GEF
Type of fuse				NH
Number of poles	Nr.			3
Operating voltage type				AC
Contact characteristics				
IEC Conventional free air thermal current I _{th}	A			125
Rated insulation voltage U _i IEC/EN	V			1000
Rated impulse withstand voltage U _{imp}	kV			8
Operating current I _e				
AC21A			400V	A 125
			500V	A 125
AC22A			400V	A 125
			500V	A 125
AC23A			400V	A 125
			500V	A 125
Power dissipation per pole max	W			9
Conditional short-circuit current (rms)	kA			100
Making capacity AC23A 400V	A			1250
Breaking capacity AC23A 400V	A			1000
Mechanical life	cycles			8000
Mechanical features				
Operating position	normal allowable		Vertical plan Any	
Fixing	Screw			
Terminals	type		Lug terminals or bars	
	width	mm	25	
	height	mm	3	
	screw		M8	
Tightening torque for terminals	max		Nm	6
	max		lbin	53
Weight	g			1300
UL technical data				
Operating voltage max	V			500
Ambient conditions				
Operating temperature	min		°C	-25

	max	°C	55
Storage temperature	min	°C	-40
	max	°C	70
Max altitude		m	3000
Resistance & Protection			
Pollution degree			3
Dimensions			



Wiring diagrams



Certifications and compliance

Compliance

IEC/EN/BS 60947-1
 IEC/EN/BS 60947-3

Certifications

CE
 UKCA

ETIM classification

ETIM 8.0

EC000216 -
 Switch
 disconnecter