



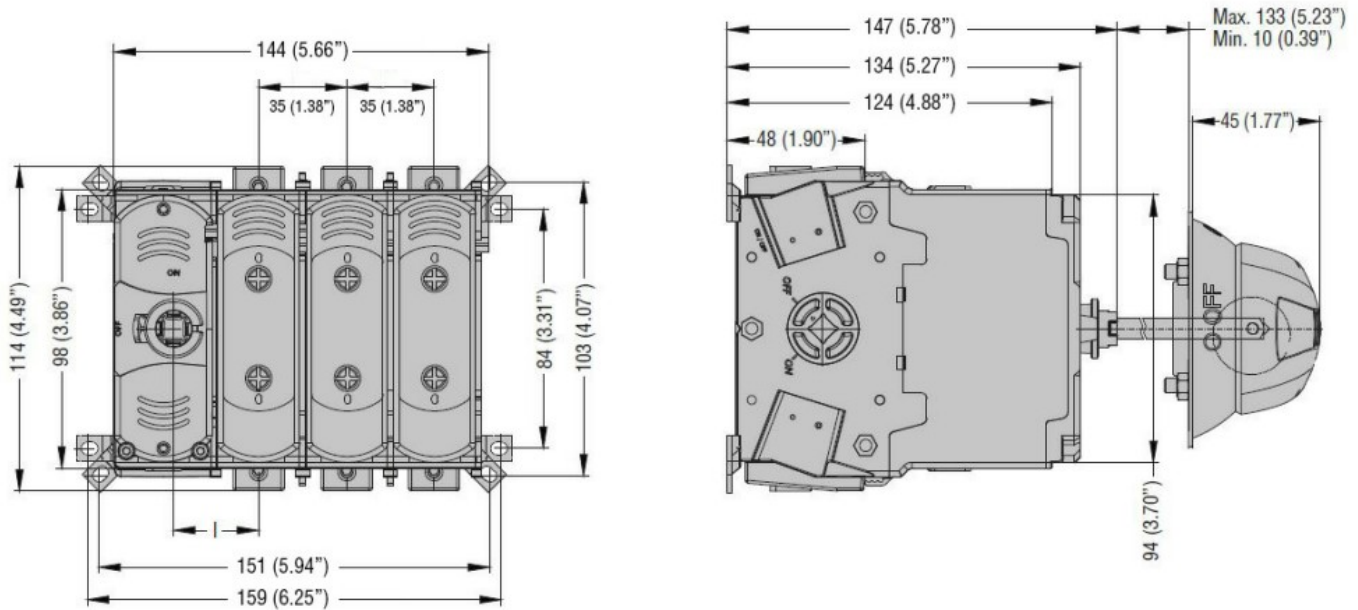
| | | | | |
|---|------------------|------|-----------------------|-------------------------------|
| Product designation | | | | Switch disconnecter with fuse |
| Product type designation | | | | GEF |
| Type of fuse | | | | NFC |
| Number of poles | Nr. | | | 3 |
| Operating voltage type | | | | AC |
| Contact characteristics | | | | |
| IEC Conventional free air thermal current I _{th} | A | | | 125 |
| Rated insulation voltage U _i IEC/EN | V | | | 1000 |
| Rated impulse withstand voltage U _{imp} | kV | | | 8 |
| Operating current I _e | | | | |
| AC21A | | | 400V | A 125 |
| | | | 500V | A 125 |
| AC22A | | | 400V | A 125 |
| | | | 500V | A 125 |
| AC23A | | | 400V | A 125 |
| | | | 500V | A 125 |
| Power dissipation per pole max | W | | | 11.4 |
| Conditional short-circuit current (rms) | kA | | | 100 |
| Making capacity AC23A 400V | A | | | 1250 |
| Breaking capacity AC23A 400V | A | | | 1000 |
| Mechanical life | cycles | | | 8000 |
| Mechanical features | | | | |
| Operating position | normal allowable | | Vertical plan Any | |
| Fixing | Screw | | | |
| Terminals | type | | Lug terminals or bars | |
| | width | mm | 25 | |
| | height | mm | 3 | |
| | screw | | M8 | |
| Tightening torque for terminals | max | Nm | 6 | |
| | max | lbin | 53 | |
| Weight | g | | 1300 | |
| UL technical data | | | | |
| Operating voltage max | V | | | 500 |
| Ambient conditions | | | | |
| Operating temperature | min | | °C | -25 |

| | | | |
|---------------------|-----|----|------|
| Storage temperature | max | °C | 55 |
| | min | °C | -40 |
| Max altitude | max | °C | 70 |
| | | m | 3000 |

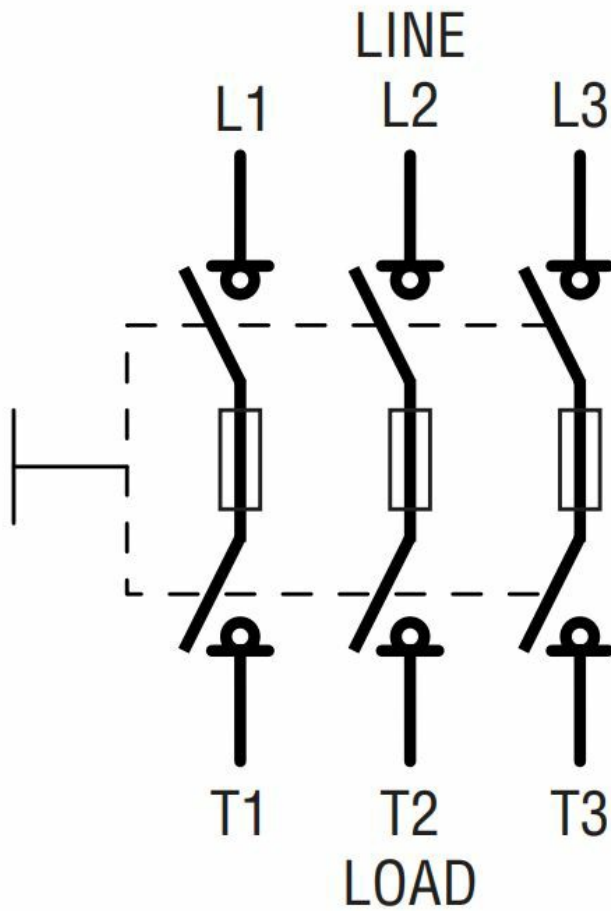
Resistance & Protection

| | |
|------------------|---|
| Pollution degree | 3 |
|------------------|---|

Dimensions



Wiring diagrams



Certifications and compliance

Compliance

IEC/EN/BS 60947-1
 IEC/EN/BS 60947-3

Certifications

CE
 UKCA

ETIM classification

ETIM 8.0

EC000216 -
 Switch
 disconnecter