



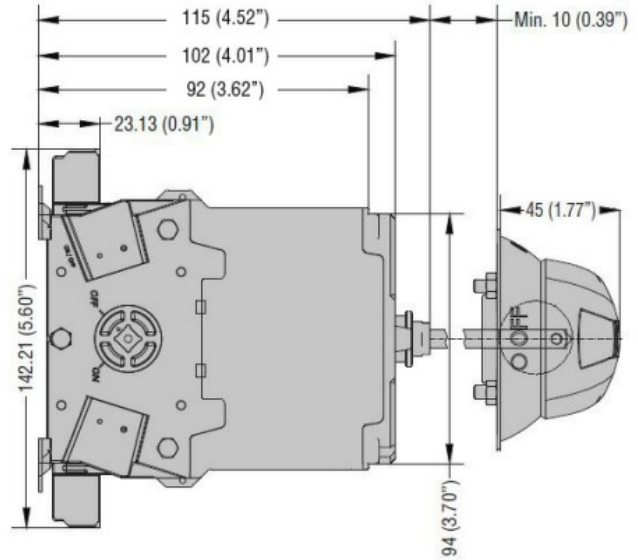
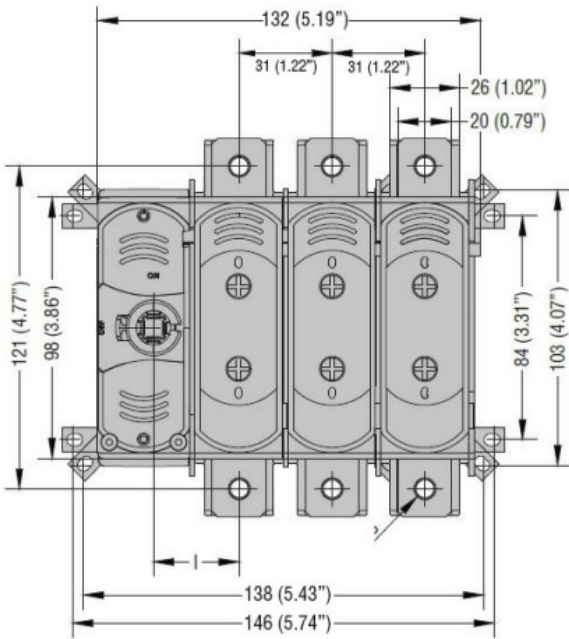
Product designation				Switch disconnecter with fuse
Product type designation				GEF
Type of fuse				NH
Number of poles	Nr.			3
Operating voltage type				AC
Contact characteristics				
IEC Conventional free air thermal current I _{th}	A			100
Rated insulation voltage U _i IEC/EN	V			1000
Rated impulse withstand voltage U _{imp}	kV			8
Operating current I _e				
AC21A	400V	A	100	
	500V	A	100	
AC22A	400V	A	100	
	500V	A	80	
AC23A	400V	A	100	
	500V	A	63	
Power dissipation per pole max	W			6.6
Conditional short-circuit current (rms)	kA			100
Making capacity AC23A 400V	A			800
Breaking capacity AC23A 400V	A			640
Mechanical life	cycles			10000
Mechanical features				
Operating position	normal allowable	Vertical plan Any		
Fixing				Screw
Terminals	type			Hex terminals
Tightening torque for terminals	max	Nm	2	
	max	lbin	17.7	
Weight	g			1000
UL technical data				
Operating voltage max	V			500
Ambient conditions				
Operating temperature	min	°C	-25	
	max	°C	55	
Storage temperature	min	°C	-40	

	max	°C	70
Max altitude		m	3000

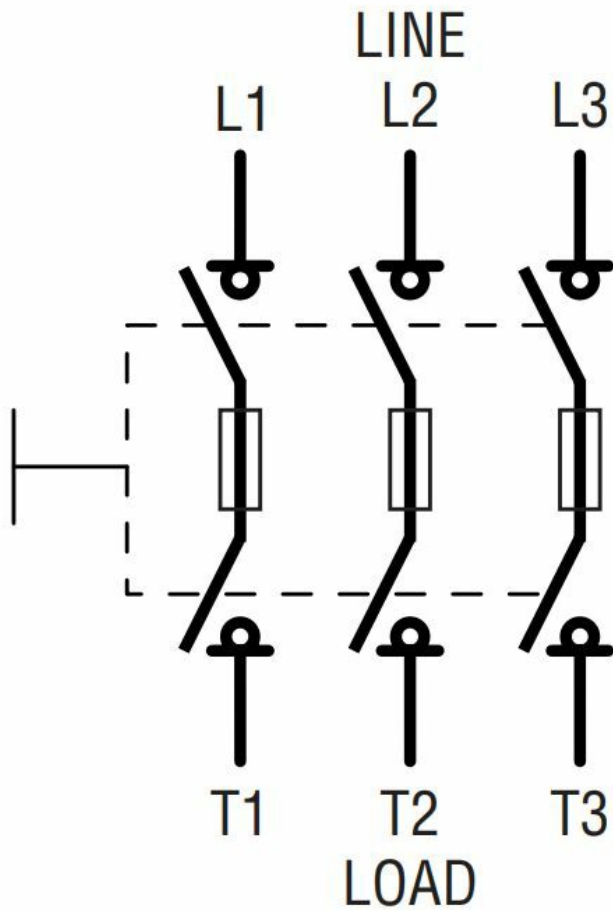
Resistance & Protection

Frontal IP degree	IP20
Terminals IP degree	IP20
Pollution degree	3

Dimensions



Wiring diagrams



Certifications and compliance

Compliance

IEC/EN/BS 60947-1
 IEC/EN/BS 60947-3

Certifications

CE
 UKCA

ETIM classification

ETIM 8.0

EC000216 -
 Switch
 disconnecter