



Product designation				Changeover Switch
Product type designation				GE
Number of poles	Nr.			3
Operating voltage type				AC
Contact characteristics				
IEC Conventional free air thermal current I _{th}	A			1600
Rated insulation voltage U _i IEC/EN	V			1000
Rated impulse withstand voltage U _{imp}	kV			12
Operating current I _e				
AC21A	400V	A	1600	
	500V	A	1600	
	690V	A	1600	
AC22A	400V	A	1600	
	500V	A	1250	
	690V	A	1000	
AC23A	400V	A	1000	
	500V	A	900	
Power dissipation per pole max	W			128
Rated operational power AC23A	400V	kW	550	
	690V	kW	600	
Rated short time current (1s) I _{cw} (rms)	kA			50
Conditional short-circuit current (rms)	kA			75
Short-circuit protection with fuse	Class/A			2x gG800
Making capacity AC23A 400V	A			10000
Mechanical life	cycles			10000
Electrical life AC21A	cycles			500 (AC23A 400V)
Mechanical features				
Operating position	normal allowable		Vertical plan Any	
Fixing	Screw			
Terminals	type screw		Bar M14	
Tightening torque for terminals	max	Nm	55	
	max	Ibin	40	
Bar dimensions max	60x10			
Ambient conditions				

Operating temperature

min	°C	-25
max	°C	55

Storage temperature

min	°C	-40
max	°C	70

Max altitude

m	3000
---	------

Resistance & Protection

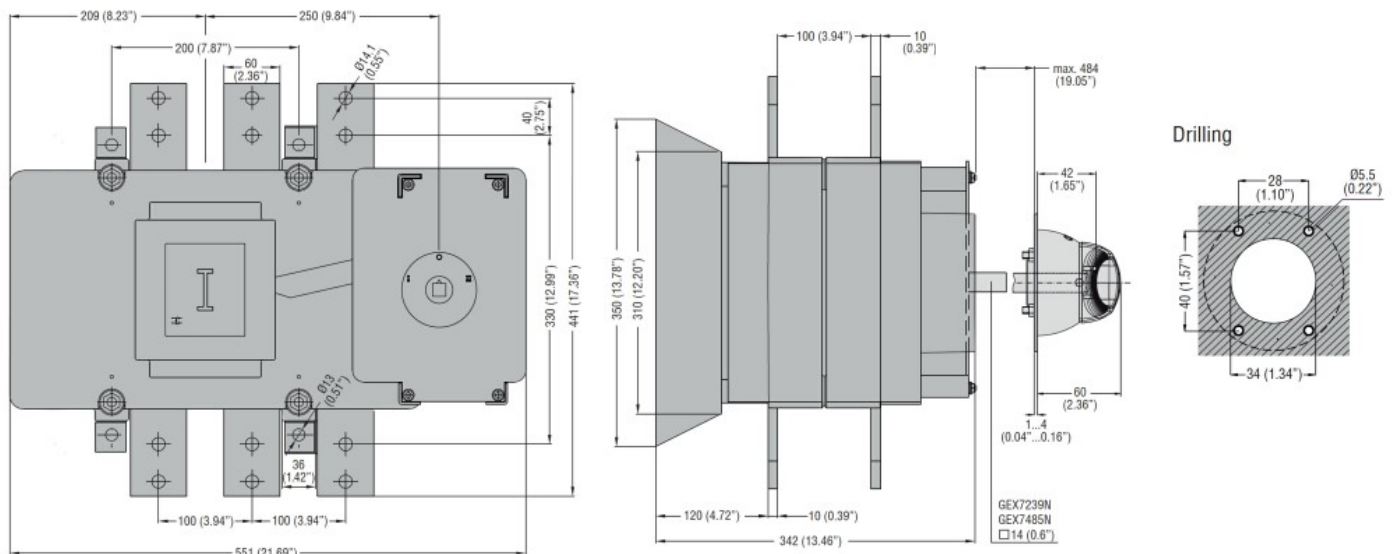
Frontal IP degree

IP20

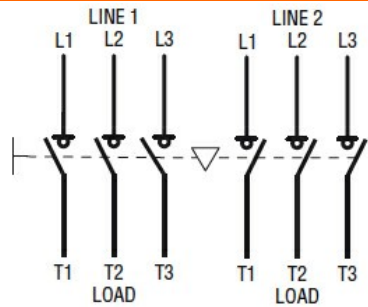
Pollution degree

3

Dimensions



Wiring diagrams



Certifications and compliance

Compliance

IEC/EN 60947-1
IEC/EN 60947-3

Certifications

EAC

ETIM classification

ETIM 8.0

EC000216 -
Switch
disconnecter