



Product designation				Changeover Switch
Product type designation				GE
Number of poles	Nr.			4
Operating voltage type				AC
<b>Contact characteristics</b>				
IEC Conventional free air thermal current I <sub>th</sub>	A			1250
Rated insulation voltage U <sub>i</sub> IEC/EN	V			1000
Rated impulse withstand voltage U <sub>imp</sub>	kV			12
Operating current I <sub>e</sub>				
AC21A	400V	A	1250	
	500V	A	1250	
	690V	A	1250	
AC22A	400V	A	1250	
	500V	A	1250	
	690V	A	1000	
AC23A	400V	A	1000	
	500V	A	900	
Power dissipation per pole max	W			118
Rated operational power AC23A	400V	kW	525	
	690V	kW	575	
Rated short time current (1s) I <sub>cw</sub> (rms)	kA			25
Conditional short-circuit current (rms)	kA			72
Short-circuit protection with fuse	Class/A			gG1250
Making capacity AC23A 400V	A			10000
Mechanical life	cycles			10000
Electrical life AC21A	cycles			500 (AC23A 400V)
<b>Mechanical features</b>				
Operating position	normal allowable			Vertical plan Any
Fixing				Screw
Terminals	type screw			Bar M14
Tightening torque for terminals	max	Nm	45	
	max	Ibin	33	
Bar dimensions max				50x6
<b>Ambient conditions</b>				

Operating temperature

min	°C	-25
max	°C	55

Storage temperature

min	°C	-40
max	°C	70

Max altitude

m	3000
---	------

**Resistance & Protection**

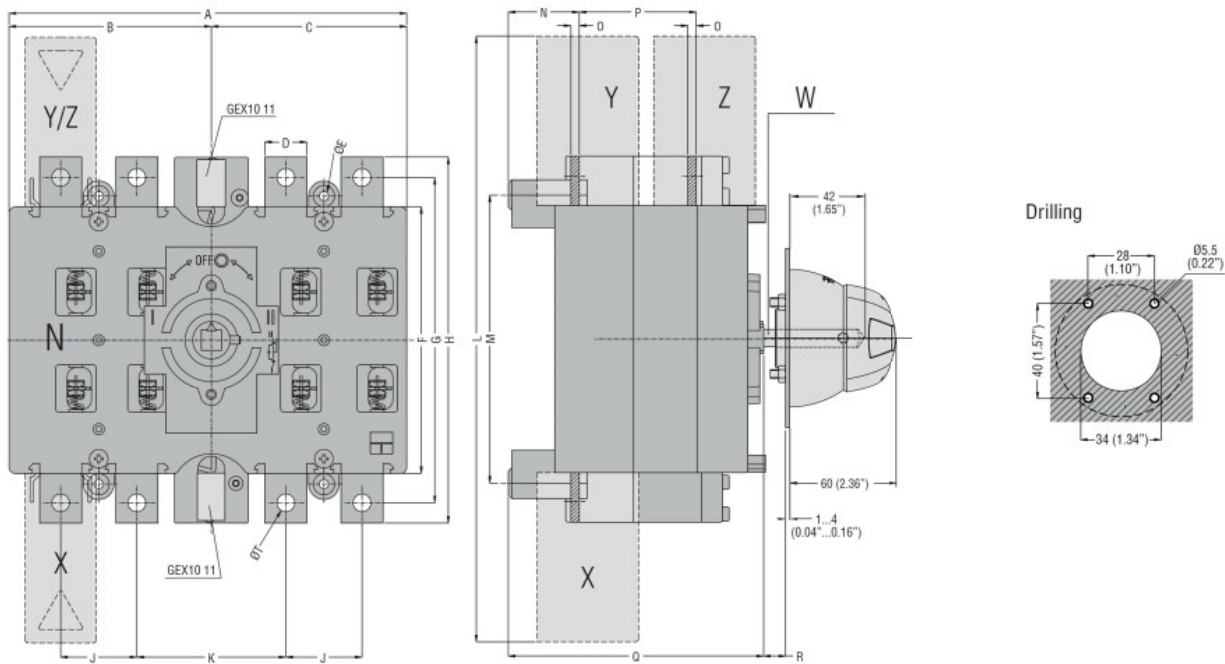
Frontal IP degree

IP20

Pollution degree

3

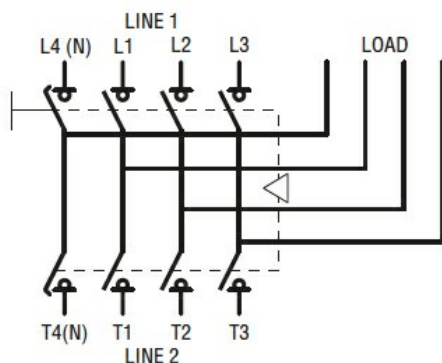
**Dimensions**



TYPE	A	B	C	D	ØE	F	G	H	J	K	L	M	N	O	P	Q	R	T	ØT	U	V	Shaft extension W	Terminal covers (N° of pcs/set)		
																							X (line 1)	Y (line 2)	Z (load)
GE1000 E																						GEX7195N	GEX82 32 (3)	GEX82 31 (3)	GEX83 31 (3)
GE1250 E	424	210	214	50	9	295	375	419	85	163	595	315	57	6	88	208	412	360	M14	248	199	GEX7345N	GEX82 32 (3)	GEX82 31 (3)	GEX83 31 (3)
GE1000 ET4	(12.69")	(2.68")	(8.43")	(1.97")	(0.35")	(11.61")	(14.63")	(16.5")	(3.35")	(6.42")	(23.43")	(12.4")	(2.24")	(0.24")	(3.46")	(8.19")	(16.22")	(14.17")		(9.76")	(7.83")	GEX7535N	GEX82 32 (3)	GEX82 31 (3)	GEX83 31 (3)
GE1250 ET4																						□ 14 (0.6")	GEX82 33 (4)	GEX82 33 (4)	GEX83 32 (4)

**Wiring diagrams**

**GE0201 ET4 - GE1600 ET4**



**Certifications and compliance**

Compliance

IEC/EN 60947-1  
IEC/EN 60947-3

Certifications

EAC

ETIM classification

ETIM 8.0

EC000216 -  
Switch  
disconnecter