



Product designation				Changeover Switch
Product type designation				GE
Number of poles	Nr.			4
Operating voltage type				AC
<b>Contact characteristics</b>				
IEC Conventional free air thermal current I <sub>th</sub>	A			1000
Rated insulation voltage U <sub>i</sub> IEC/EN	V			1000
Rated impulse withstand voltage U <sub>imp</sub>	kV			12
Operating current I <sub>e</sub>				
AC21A	400V	A	1000	
	500V	A	1000	
	690V	A	1000	
AC22A	400V	A	1000	
	500V	A	1000	
	690V	A	800	
AC23A	400V	A	1000	
	500V	A	800	
Power dissipation per pole max	W			76
Rated operational power AC23A	400V	kW	500	
	690V	kW	544	
Rated short time current (1s) I <sub>cw</sub> (rms)	kA			25
Conditional short-circuit current (rms)	kA			72
Short-circuit protection with fuse	Class/A			gG1000
Making capacity AC23A 400V	A			10000
Mechanical life	cycles			10000
Electrical life AC21A	cycles			500 (AC23A 400V)
<b>Mechanical features</b>				
Operating position	normal allowable			Vertical plan Any
Fixing				Screw
Terminals	type screw			Bar M14
Tightening torque for terminals	max	Nm	45	
	max	I <sub>bin</sub>	33	
Bar dimensions max				50x6
<b>Ambient conditions</b>				

Operating temperature

min	°C	-25
max	°C	55

Storage temperature

min	°C	-40
max	°C	70

Max altitude

m	3000
---	------

**Resistance & Protection**

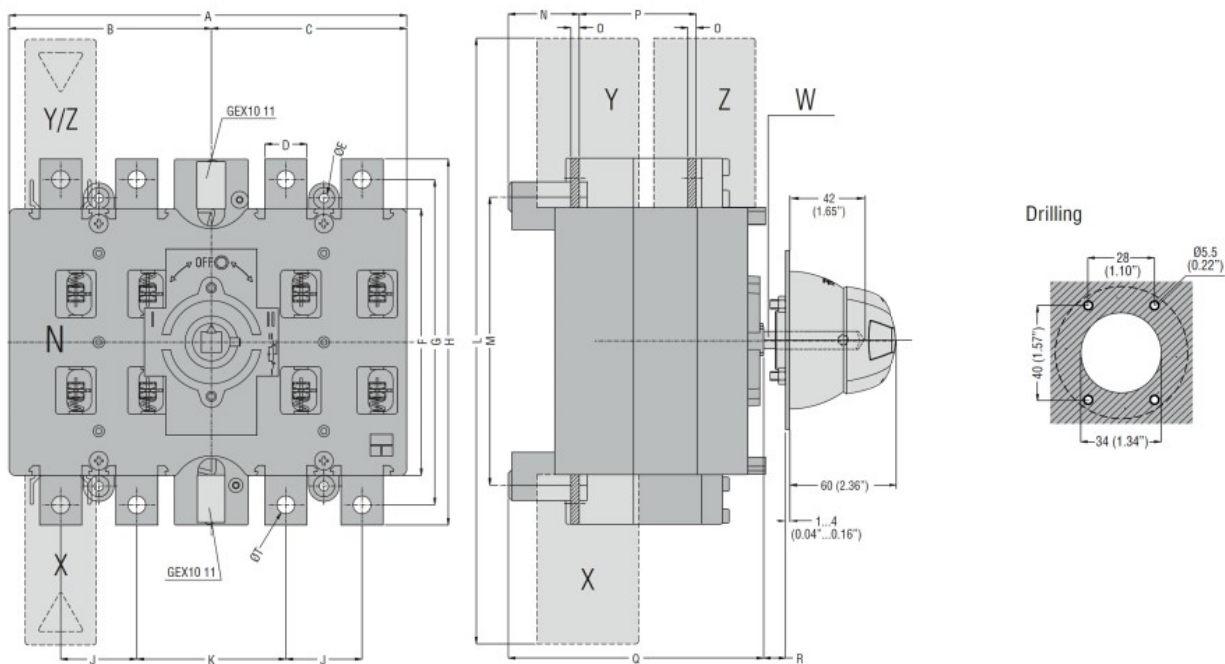
Frontal IP degree

IP20

Pollution degree

3

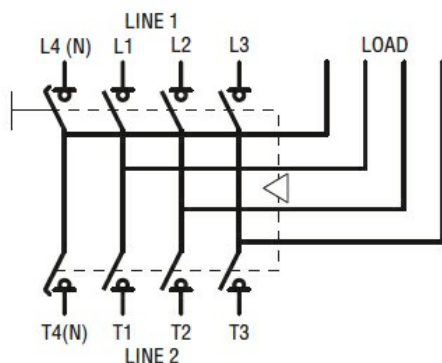
**Dimensions**



TYPE	A	B	C	D	ØE	F	G	H	J	K	L	M	N	O	P	Q	R Max	T	ØT	U	V	Shaft extension W	Terminal covers (N° of pcs/set)			
																							X (line 1)	Y (line 2)	Z (load)	
GE1000 E																							GEX7195N	GEX82 32 (3)	GEX82 31 (3)	GEX83 31 (3)
GE1250 E	424 (12.69")	210 (2.68")	214 (8.43")	50 (1.97")	9 (0.35")	295 (11.61")	375 (14.63")	419 (16.5")	85 (3.35")	163 (6.42")	595 (23.43")	315 (12.4")	57 (2.24")	6 (0.24")	88 (3.46")	208 (8.19")	412 (16.22")	360 (14.17")	M14	248 (9.76")	199 (7.83")		GEX7345N	GEX82 32 (3)	GEX82 31 (3)	GEX83 31 (3)
GE1000 ET4																							GEX7535N	GEX82 33 (4)	GEX82 33 (4)	GEX83 32 (4)
GE1250 ET4																							□ 14 (0.6")	GEX82 33 (4)	GEX82 33 (4)	GEX83 32 (4)

**Wiring diagrams**

**GE0201 ET4 - GE1600 ET4**



**Certifications and compliance**

Compliance

IEC/EN 60947-1  
IEC/EN 60947-3

Certifications

EAC

ETIM classification

ETIM 8.0

EC000216 -  
Switch  
disconnecter