



| | | | | |
|---|------------------|------------------|---------|-------------------|
| Product designation | | | | Changeover Switch |
| Product type designation | | | | GE |
| Number of poles | Nr. | | | 4 |
| Operating voltage type | | | | AC |
| Contact characteristics | | | | |
| IEC Conventional free air thermal current I _{th} | A | | | 630 |
| Rated insulation voltage U _i IEC/EN | V | | | 1000 |
| Rated impulse withstand voltage U _{imp} | kV | | | 12 |
| Operating current I _e | | | | |
| AC21A | 400V | A | 630 | |
| | 500V | A | 630 | |
| | 690V | A | 630 | |
| AC22A | 400V | A | 630 | |
| | 500V | A | 630 | |
| | 690V | A | 500 | |
| AC23A | 400V | A | 500 | |
| | 500V | A | 315 | |
| Power dissipation per pole max | | | W | 44.5 |
| Rated operational power AC23A | 400V | kW | 200 | |
| | 690V | kW | 216 | |
| Rated short time current (1s) I _{cw} (rms) | | | kA | 13 |
| Conditional short-circuit current (rms) | | | kA | 100 |
| Short-circuit protection with fuse | | | Class/A | gG630 |
| Making capacity AC23A 400V | | | A | 6300 |
| Mechanical life | | | cycles | 10000 |
| Electrical life AC21A | | | cycles | 1000 (AC23A 400V) |
| Mechanical features | | | | |
| Operating position | normal allowable | | | Vertical plan Any |
| Fixing | | | | Screw |
| Terminals | type screw | | | Bar M12 |
| Tightening torque for terminals | max | Nm | 24 | |
| | max | I _{bin} | 18 | |
| Bar dimensions max | | | | 40x5 |
| Ambient conditions | | | | |

Operating temperature

| | | |
|-----|----|-----|
| min | °C | -25 |
| max | °C | 55 |

Storage temperature

| | | |
|-----|----|-----|
| min | °C | -40 |
| max | °C | 70 |

Max altitude

| | |
|---|------|
| m | 3000 |
|---|------|

Resistance & Protection

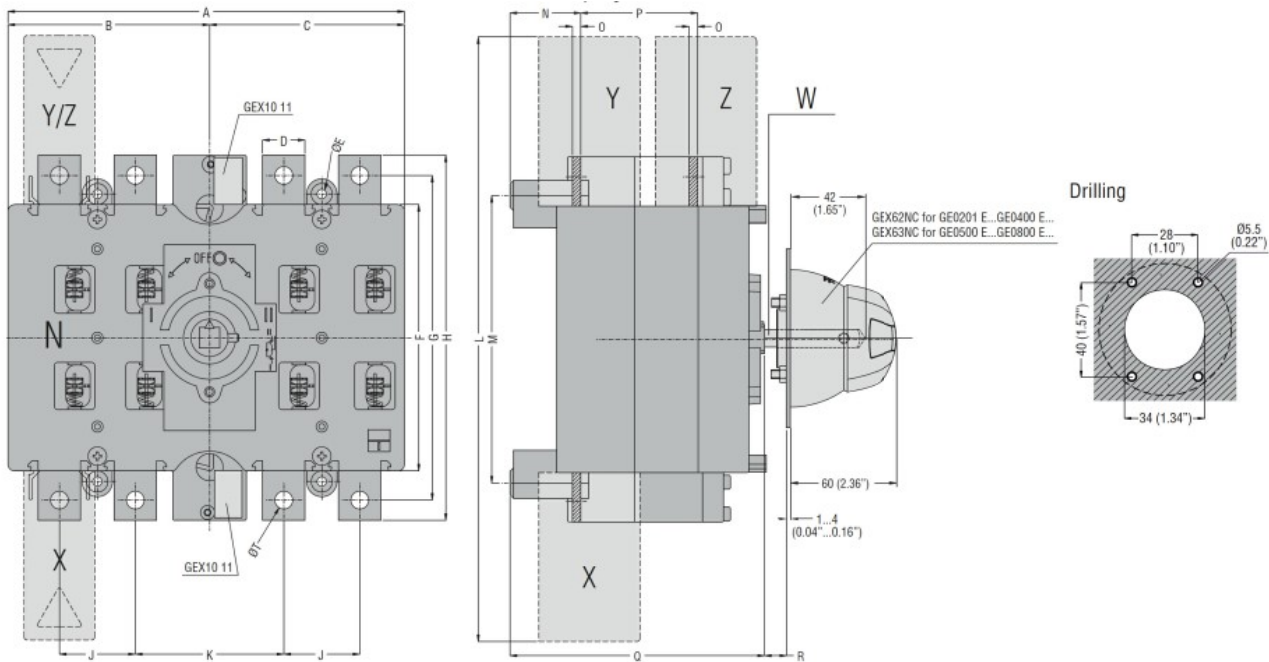
Frontal IP degree

IP20

Pollution degree

3

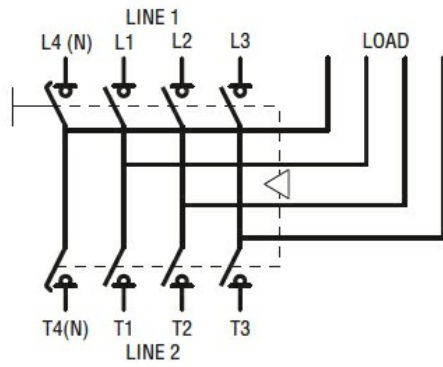
Dimensions



| TYPE | A | B | C | D | ØE | F | G | H | J | K | L | M | N | O | P | Q | R Max | S | Ø T | U | V | Shaft extension W | Terminal covers (N° of pcs/set) | | | |
|--|-----------------|------------------|------------------|---------------|----------------|----------------|-----------------|-----------------|---------------|----------------|-----------------|----------------|---------------|--------------|---------------|----------------|-----------------|----------------|-----|----------------|----------------|---|------------------------------------|--------------|--------------|--------------|
| | | | | | | | | | | | | | | | | | | | | | | | X (line 1) | Y (line 2) | Z (load) | |
| GE0201 E GE0250 E GE0315 E GE0400 E | 235 (9.25") | 119.5 (4.70") | 115.5 (4.55") | 25 (0.98") | 5.5 (0.22") | 157 (6.18") | 192 (7.56") | 216 (8.50") | 45 (1.77") | 88 (3.46") | 357 (14.05") | 170 (6.69") | 42 (1.65") | 3 (0.12) | 67 (2.64") | 151 (5.94") | 437 (17.2") | 143 (5.63") | M10 | 133 (5.24") | 142 (5.59") | GEX7227N GEX7375N GEX7536N □ 10 (0.6") | GEX82 12 (3) | GEX82 11 (3) | GEX83 12 (3) | |
| GE0201 ET4 GE0250 ET4 GE0315 ET4 GE0400 ET4 | | | | | | | | | | | | | | | | | | | | | | | | GEX82 13 (4) | GEX82 13 (4) | GEX83 12 (4) |
| GE0500 E GE0630 E GE0800 E | 321 (12.63") | 162 (6.38") | 159 (6.26") | 40 (1.57") | 7 (0.27") | 232 (9.13") | 282 (11.10") | 312 (12.28") | 65 (2.56") | 121 (4.73") | 482 (18.98") | 247 (9.72") | 46 (1.81") | 5 (0.20") | 87 (3.42") | 180 (7.09") | 417 (16.42") | 176 (6.93") | M12 | 186 (7.32") | 171 (6.73") | GEX7195N GEX7345N GEX7535N □ 10 (0.6") | GEX82 22 (3) | GEX82 21 (3) | GEX83 21 (3) | |
| GE0500 ET4 GE0630 ET4 GE0800 ET4 | | | | | | | | | | | | | | | | | | | | | | | | GEX82 23 (4) | GEX82 23 (4) | GEX83 22 (4) |

Wiring diagrams

GE0201 ET4 - GE1600 ET4



Certifications and compliance

Compliance

IEC/EN 60947-1
 IEC/EN 60947-3

Certifications

EAC

ETIM classification

ETIM 8.0

EC000216 -
 Switch
 disconnecter