



Product designation	Switch disconnecter		
Product type designation	GE		
Number of poles	Nr.	4	
Operating voltage type	DC		
Contact characteristics			
IEC Conventional free air thermal current I _{th}	A	630	
Rated insulation voltage U _i IEC/EN	V	1000	
Rated impulse withstand voltage U _{imp}	kV	12	
Operating current I _e	4 poles in series DC21A		
	48V	A	630
	110V	A	630
	220V	A	630
	400V	A	630
	440V	A	630
	500V	A	630
	600V	A	630
	750V	A	630
	800V	A	600
	850V	A	600
	900V	A	600
	1000V	A	500
Rated short time current (1s) I _{cs} (rms)	kA	25000	
Mechanical life	cycles	20000	
Mechanical features			
Operating position	normal allowable	Vertical plan Any	
Fixing	Screw		
Terminals	type screw	Bar M10	
Tightening torque for terminals	max	I _{bin}	18
Bar dimensions max	30x5		
Ambient conditions			
Operating temperature	min	°C	-25
	max	°C	55
Storage temperature	min	°C	-40
	max	°C	70
Max altitude	m		3000
Resistance & Protection			

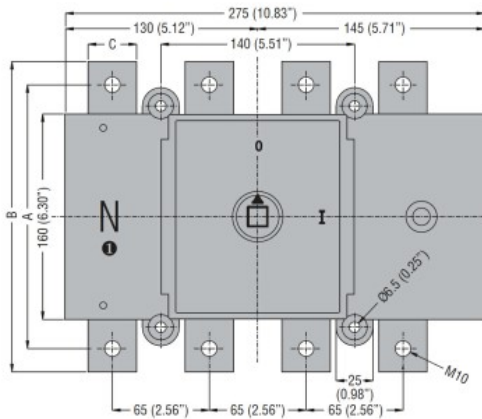
Frontal IP degree

IP20

Pollution degree

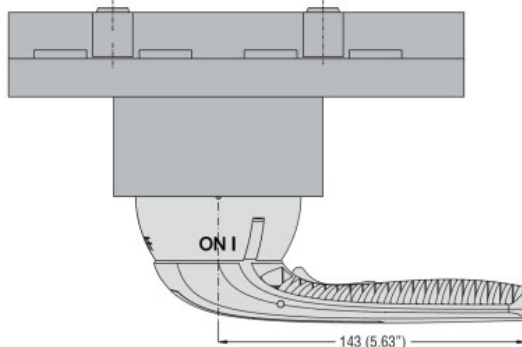
3

Dimensions

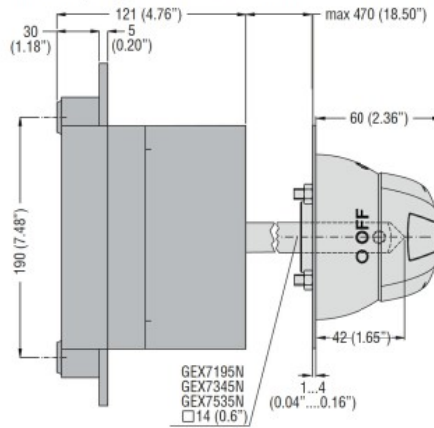


Type	A	B	C
GE0500 T4	190 (7.48")	220 (8.66")	25 (0.98")
GE0630 DT4	205 (8.07")	235 (9.25")	30 (1.18")
GE0630 T4	205 (8.07")	235 (9.25")	30 (1.18")
GE0800 DT4	205 (8.07")	235 (9.25")	30 (1.18")
GE0800 T4	205 (8.07")	235 (9.25")	30 (1.18")

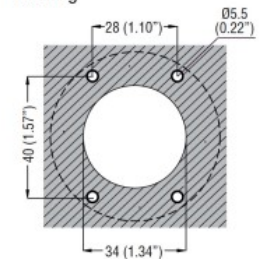
Direct operating version with handle GEX67ND



Door coupling version with handle GEX67N - GEX67NB

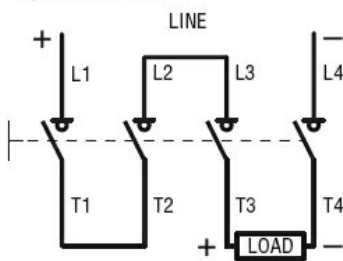


Drilling

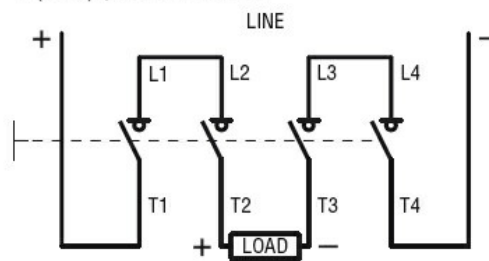


Wiring diagrams

One-line control
4 poles in series



4 (2+2) poles in series



Certifications and compliance

Compliance

IEC/EN 60947-1
IEC/EN 60947-3

Certifications

EAC

ETIM classification

ETIM 8.0

EC000216 -
Switch
disconnecter