



Product designation				Switch disconnecter
Product type designation				GE
Number of poles				Nr. 4
Operating voltage type				AC
Contact characteristics				
IEC Conventional free air thermal current I _{th}			A	500
Rated insulation voltage U _i IEC/EN			V	1000
Rated impulse withstand voltage U _{imp}			kV	12
Operating current I _e				
	AC21A			
		400V	A	500
		500V	A	500
		690V	A	500
	AC22A			
		400V	A	500
		500V	A	500
		690V	A	400
	AC23A			
		400V	A	500
		500V	A	400
		690V	A	250
Power dissipation per pole max			W	22
Rated operational power AC23A				
		400V	kW	220
		690V	kW	239
Rated short time current (1s) I _{cw} (rms)			kA	16
Conditional short-circuit current (rms)			kA	100
Short-circuit protection with fuse			Class/A	gG500
Making capacity AC23A 400V			A	5000
Breaking capacity AC23A 400V			A	4000
Mechanical life			cycles	10000
Electrical life AC21A			cycles	1000 (AC23A 400V)
Mechanical features				
Operating position	normal allowable		Vertical plan Any	
Fixing			Screw	
Terminals	type screw		Bar M10	
Tightening torque for terminals	max		I _{bin}	10
Bar dimensions max			25x5	

Ambient conditions

Operating temperature

min	°C	-25
max	°C	55

Storage temperature

min	°C	-40
max	°C	70

Max altitude

m	3000
---	------

Resistance & Protection

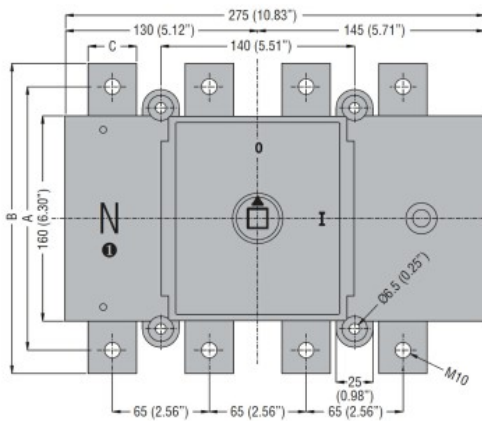
Frontal IP degree

IP20

Pollution degree

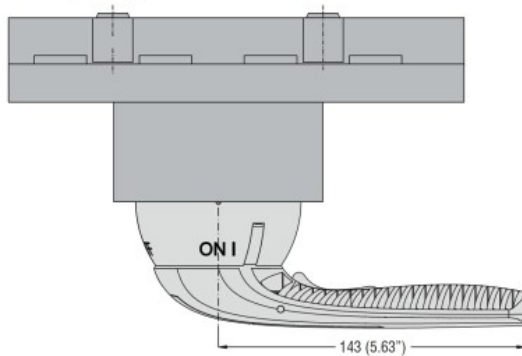
3

Dimensions

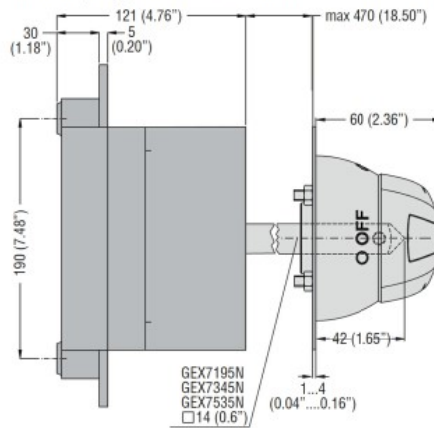


Type	A	B	C
GE0500 T4	190 (7.48")	220 (8.66")	25 (0.98")
GE0630 DT4	205 (8.07")	235 (9.25")	30 (1.18")
GE0630 T4	205 (8.07")	235 (9.25")	30 (1.18")
GE0800 DT4	205 (8.07")	235 (9.25")	30 (1.18")
GE0800 T4	205 (8.07")	235 (9.25")	30 (1.18")

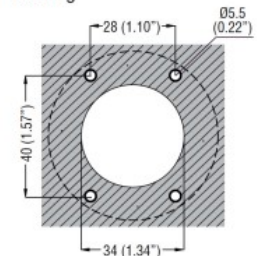
Direct operating version with handle GEX67ND



Door coupling version with handle GEX67N - GEX67NB

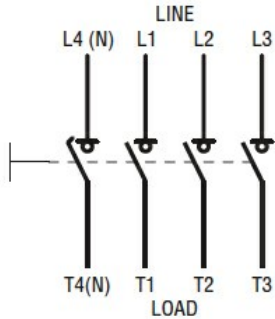


Drilling



Wiring diagrams

Four-pole disconnectors
GE0160 T4 - GE1600 T4
GE0160 T4P



Certifications and compliance

Compliance

IEC/EN 60947-1

IEC/EN 60947-3

Certifications

EAC

ETIM classification

ETIM 8.0

EC000216 -
 Switch
 disconnecter