



Product designation				Changeover Switch
Product type designation				GE
Number of poles	Nr.			4
Operating voltage type				AC
<b>Contact characteristics</b>				
IEC Conventional free air thermal current I <sub>th</sub>	A			500
Rated insulation voltage U <sub>i</sub> IEC/EN	V			1000
Rated impulse withstand voltage U <sub>imp</sub>	kV			12
Operating current I <sub>e</sub>				
AC21A	400V	A	500	
	500V	A	500	
	690V	A	500	
AC22A	400V	A	500	
	500V	A	500	
	690V	A	400	
AC23A	400V	A	400	
	500V	A	250	
Power dissipation per pole max	W			28
Rated operational power AC23A	400V	kW	200	
	690V	kW	173	
Rated short time current (1s) I <sub>cw</sub> (rms)	kA			13
Conditional short-circuit current (rms)	kA			100
Short-circuit protection with fuse	Class/A			gG500
Making capacity AC23A 400V	A			6300
Mechanical life	cycles			10000
Electrical life AC21A	cycles			1000 (AC23A 400V)
<b>Mechanical features</b>				
Operating position	normal allowable			Vertical plan Any
Fixing				Screw
Terminals	type screw			Bar M12
Tightening torque for terminals	max	Nm	24	
	max	Ibin	18	
Bar dimensions max				40x5
<b>Ambient conditions</b>				

Operating temperature

min	°C	-25
max	°C	55

Storage temperature

min	°C	-40
max	°C	70

Max altitude

m	3000
---	------

Resistance & Protection

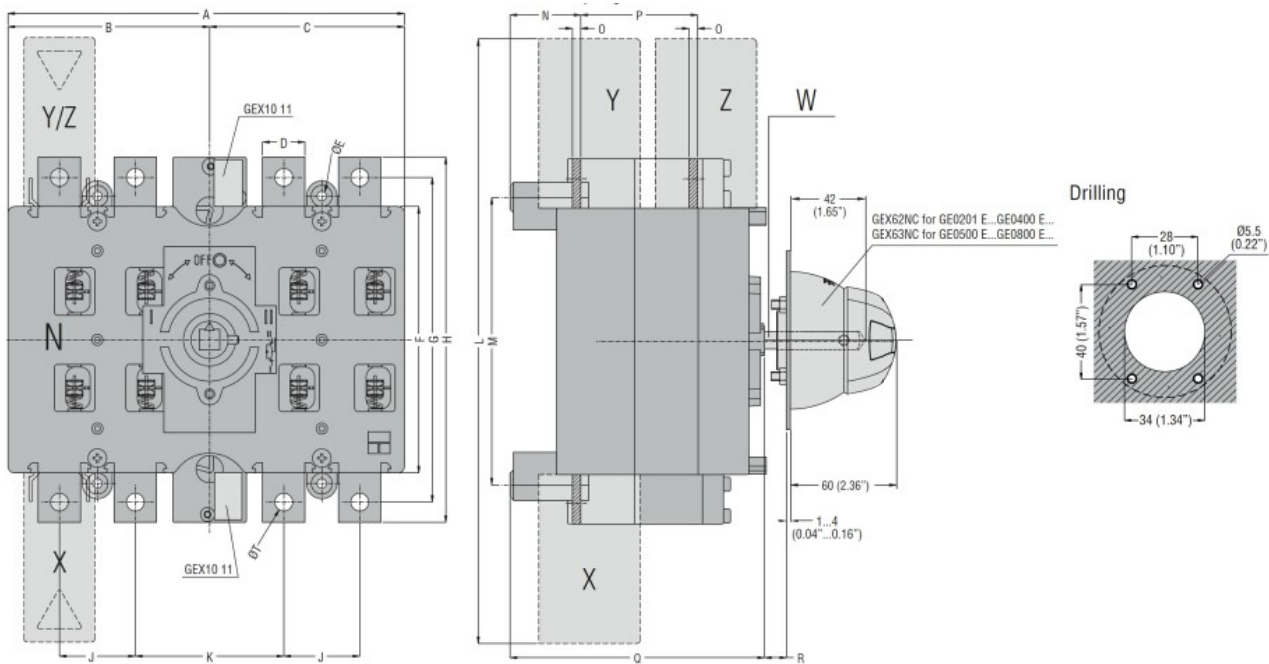
Frontal IP degree

IP20

Pollution degree

3

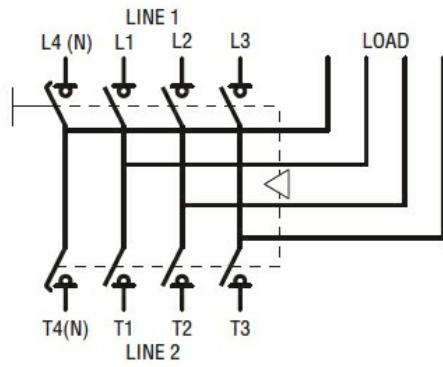
Dimensions



TYPE	A	B	C	D	ØE	F	G	H	J	K	L	M	N	O	P	Q	R Max	S	Ø T	U	V	Shaft extension W	Terminal covers (N° of pcs/set)			
																							X (line 1)	Y (line 2)	Z (load)	
GE0201 E GE0250 E GE0315 E GE0400 E	235 (9.25")	119.5 (4.70")	115.5 (4.55")	25 (0.98")	5.5 (0.22")	157 (6.18")	192 (7.56")	216 (8.50")	45 (1.77")	88 (3.46")	357 (14.05")	170 (6.69")	42 (1.65")	3 (0.12)	67 (2.64")	151 (5.94")	437 (17.2")	143 (5.63")	M10	133 (5.24")	142 (5.59")	GEX7227N GEX7375N GEX7536N □ 10 (0.6")	GEX82 12 (3)	GEX82 11 (3)	GEX83 12 (3)	
GE0201 ET4 GE0250 ET4 GE0315 ET4 GE0400 ET4																								GEX82 13 (4)	GEX82 13 (4)	GEX83 12 (4)
GE0500 E GE0630 E GE0800 E	321 (12.63")	162 (6.38")	159 (6.26")	40 (1.57")	7 (0.27")	232 (9.13")	282 (11.10")	312 (12.28")	65 (2.56")	121 (4.73")	482 (18.98")	247 (9.72")	46 (1.81")	5 (0.20")	87 (3.42")	180 (7.09")	417 (16.42")	176 (6.93")	M12	186 (7.32")	171 (6.73")	GEX7195N GEX7345N GEX7535N □ 10 (0.6")	GEX82 22 (3)	GEX82 21 (3)	GEX83 21 (3)	
GE0500 ET4 GE0630 ET4 GE0800 ET4																								GEX82 23 (4)	GEX82 23 (4)	GEX83 22 (4)

Wiring diagrams

**GE0201 ET4 - GE1600 ET4**



**Certifications and compliance**

Compliance

IEC/EN 60947-1  
 IEC/EN 60947-3

Certifications

EAC

**ETIM classification**

ETIM 8.0

EC000216 -  
 Switch  
 disconnecter