



| | | | | |
|---|------------------|-------------------|-----|-------------------|
| Product designation | | | | Changeover Switch |
| Product type designation | | | | GE |
| Number of poles | Nr. | | | 3 |
| Operating voltage type | | | | AC |
| Contact characteristics | | | | |
| IEC Conventional free air thermal current I _{th} | A | | | 500 |
| Rated insulation voltage U _i IEC/EN | V | | | 1000 |
| Rated impulse withstand voltage U _{imp} | kV | | | 12 |
| Operating current I _e | | | | |
| AC21A | 400V | A | 500 | |
| | 500V | A | 500 | |
| | 690V | A | 500 | |
| AC22A | 400V | A | 500 | |
| | 500V | A | 500 | |
| | 690V | A | 400 | |
| AC23A | 400V | A | 400 | |
| | 500V | A | 250 | |
| Power dissipation per pole max | W | | | 28 |
| Rated operational power AC23A | 400V | kW | 200 | |
| | 690V | kW | 173 | |
| Rated short time current (1s) I _{cw} (rms) | kA | | | 13 |
| Conditional short-circuit current (rms) | kA | | | 100 |
| Short-circuit protection with fuse | Class/A | | | gG500 |
| Making capacity AC23A 400V | A | | | 6300 |
| Mechanical life | cycles | | | 10000 |
| Electrical life AC21A | cycles | | | 1000 (AC23A 400V) |
| Mechanical features | | | | |
| Operating position | normal allowable | Vertical plan Any | | |
| Fixing | Screw | | | |
| Terminals | type screw | Bar M12 | | |
| Tightening torque for terminals | max | Nm | 24 | |
| | max | Ibin | 18 | |
| Bar dimensions max | 40x5 | | | |
| Ambient conditions | | | | |

Operating temperature

| | | |
|-----|----|-----|
| min | °C | -25 |
| max | °C | 55 |

Storage temperature

| | | |
|-----|----|-----|
| min | °C | -40 |
| max | °C | 70 |

Max altitude

| | |
|---|------|
| m | 3000 |
|---|------|

Resistance & Protection

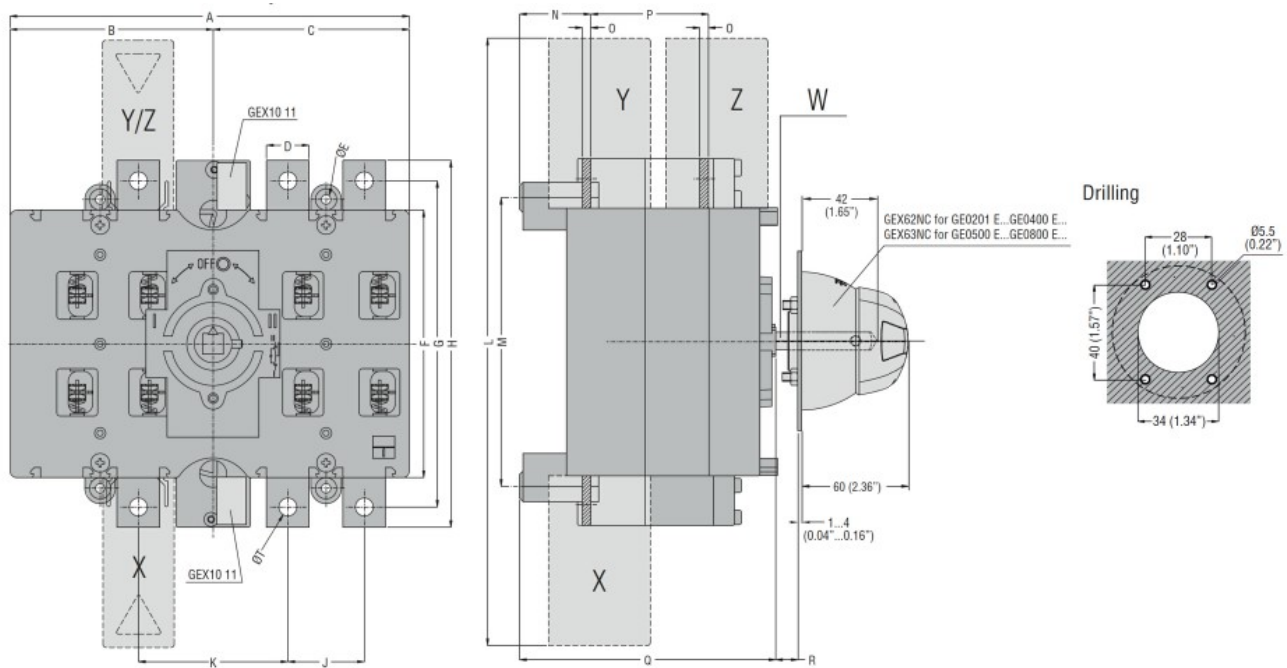
Frontal IP degree

IP20

Pollution degree

3

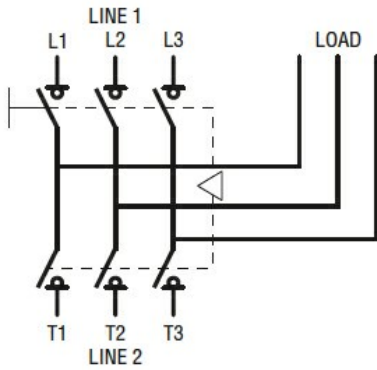
Dimensions



| TYPE | A | B | C | D | ØE | F | G | H | J | K | L | M | N | O | P | Q | R Max | S | ØT | U | V | Shaft extension W | Terminal covers (N° of pcs/set) | | |
|--|----------|---------|---------|---------|---------|---------|----------|----------|---------|---------|----------|---------|---------|---------|---------|---------|----------|---------|-----|---------|---------|---|------------------------------------|--------------|--------------|
| | | | | | | | | | | | | | | | | | | | | | | | X (line 1) | Y (line 2) | Z (load) |
| GE0201 E GE0250 E GE0315 E GE0400 E | 235 | 119.5 | 115.5 | 25 | 5.5 | 157 | 192 | 216 | 45 | 88 | 357 | 170 | 42 | 3 | 67 | 151 | 437 | 143 | M10 | 133 | 142 | GEX7227N GEX7375N GEX7536N □ 10 (0.6") | GEX82 12 (3) | GEX82 11 (3) | GEX83 12 (3) |
| GE0201 ET4 GE0250 ET4 GE0315 ET4 GE0400 ET4 | (9.25") | (4.70") | (4.55") | (0.98") | (0.22") | (6.18") | (7.56") | (8.50") | (1.77") | (3.46") | (14.05") | (6.69") | (1.65") | (0.12) | (2.64") | (5.94") | (17.2") | (5.63") | | (5.24") | (5.59") | | GEX82 13 (4) | GEX82 13 (4) | GEX83 12 (4) |
| GE0500 E GE0630 E GE0800 E | 321 | 162 | 159 | 40 | 7 | 232 | 282 | 312 | 65 | 121 | 482 | 247 | 46 | 5 | 87 | 180 | 417 | 176 | M12 | 186 | 171 | GEX7195N GEX7345N GEX7535N □ 10 (0.6") | GEX82 22 (3) | GEX82 21 (3) | GEX83 21 (3) |
| GE0500 ET4 GE0630 ET4 GE0800 ET4 | (12.63") | (6.38") | (6.26") | (1.57") | (0.27") | (9.13") | (11.10") | (12.28") | (2.56") | (4.73") | (18.98") | (9.72") | (1.81") | (0.20") | (3.42") | (7.09") | (16.42") | (6.93") | | (7.32") | (6.73") | | GEX82 23 (4) | GEX82 23 (4) | GEX83 22 (4) |

Wiring diagrams

GE0201 E - GE1600 E



Certifications and compliance

Compliance

IEC/EN 60947-1
 IEC/EN 60947-3

Certifications

EAC

ETIM classification

ETIM 8.0

EC000216 -
 Switch
 disconnecter