



Product designation	Switch disconnecter		
Product type designation	GE		
Number of poles	Nr.	3	
Operating voltage type		AC	
Contact characteristics			
IEC Conventional free air thermal current I _{th}	A	500	
Rated insulation voltage U _i IEC/EN	V	1000	
Rated impulse withstand voltage U _{imp}	kV	12	
Operating current I _e			
AC21A		400V	A 500
		500V	A 500
		690V	A 500
AC22A		400V	A 500
		500V	A 500
		690V	A 400
AC23A		400V	A 500
		500V	A 400
		690V	A 250
Power dissipation per pole max	W	22	
Rated operational power AC23A		400V	kW 220
		690V	kW 239
Rated short time current (1s) I _{cw} (rms)	kA	16	
Conditional short-circuit current (rms)	kA	100	
Short-circuit protection with fuse	Class/A	gG500	
Making capacity AC23A 400V	A	5000	
Breaking capacity AC23A 400V	A	4000	
Mechanical life	cycles	10000	
Electrical life AC21A	cycles	1000 (AC23A 400V)	
Mechanical features			
Operating position	normal allowable	Vertical plan Any	
Fixing		Screw	
Terminals	type screw	Bar M10	
Tightening torque for terminals	max	I _{bin}	10
Bar dimensions max		25x5	

Ambient conditions

Operating temperature

min	°C	-25
max	°C	55

Storage temperature

min	°C	-40
max	°C	70

Max altitude

m	3000
---	------

Resistance & Protection

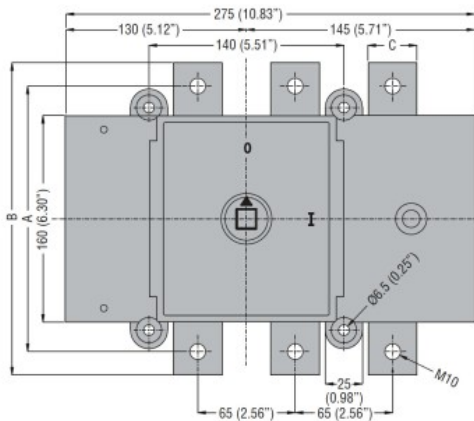
Frontal IP degree

IP20

Pollution degree

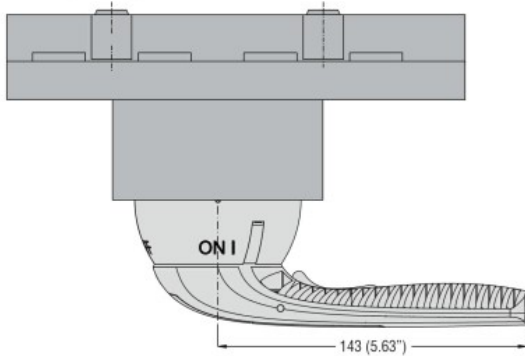
3

Dimensions

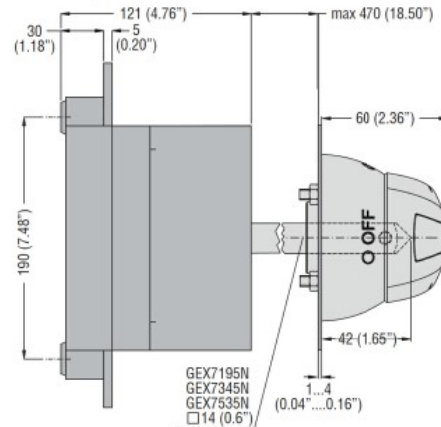


Type	A	B	C
GE0500	190 (7.48")	220 (8.66")	25 (0.98")
GE0630	205 (8.07")	235 (9.25")	30 (1.18")
GE0800	205 (8.07")	235 (9.25")	30 (1.18")

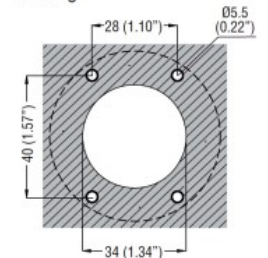
Direct operating version with handle GEX67ND



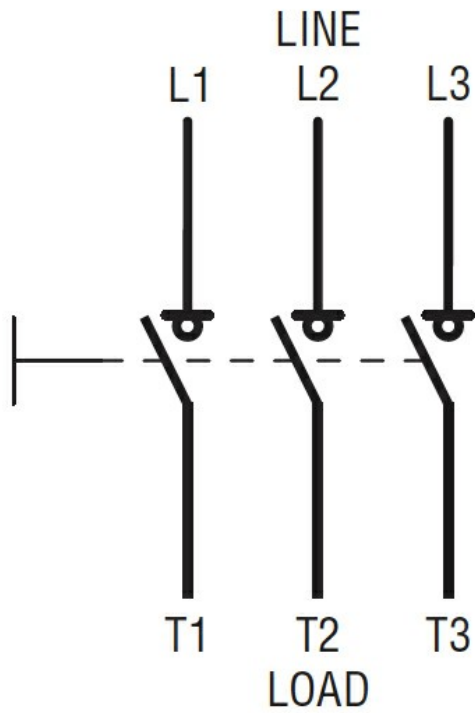
Door coupling version with handle GEX67N - GEX67NB



Drilling



Wiring diagrams



Certifications and compliance

Compliance

IEC/EN 60947-1

IEC/EN 60947-3

Certifications

EAC

ETIM classification

ETIM 8.0

EC000216 -
 Switch
 disconnecter