



Product designation

Product type designation

Number of poles

Operating voltage type

Changeover  
Switch  
GE  
Nr. 4  
AC

**Contact characteristics**

IEC Conventional free air thermal current I<sub>th</sub> A 400

Rated insulation voltage U<sub>i</sub> IEC/EN V 1000

Rated impulse withstand voltage U<sub>imp</sub> kV 8

Operating current I<sub>e</sub>

AC21A

400V A 400  
500V A 400  
690V A 400

AC22A

400V A 400  
500V A 400  
690V A 315

AC23A

400V A 250  
500V A 200

Power dissipation per pole max W 22

Rated operational power AC23A

400V kW 125  
690V kW 138

Rated short time current (1s) I<sub>cw</sub> (rms) kA 8

Conditional short-circuit current (rms) kA 100

Short-circuit protection with fuse Class/A gG400

Making capacity AC23A 400V A 4000

Mechanical life cycles 10000

Electrical life AC21A cycles 1000 (AC23A 400V)

**Mechanical features**

Operating position

normal  
allowable Vertical plan  
Any

Fixing Screw

Terminals

type  
screw Bar  
M10

Tightening torque for terminals

max Nm 24  
max lbin 18

Bar dimensions max 35x3

**Ambient conditions**

Operating temperature

min	°C	-25
max	°C	55

Storage temperature

min	°C	-40
max	°C	70

Max altitude

m	3000
---	------

Resistance & Protection

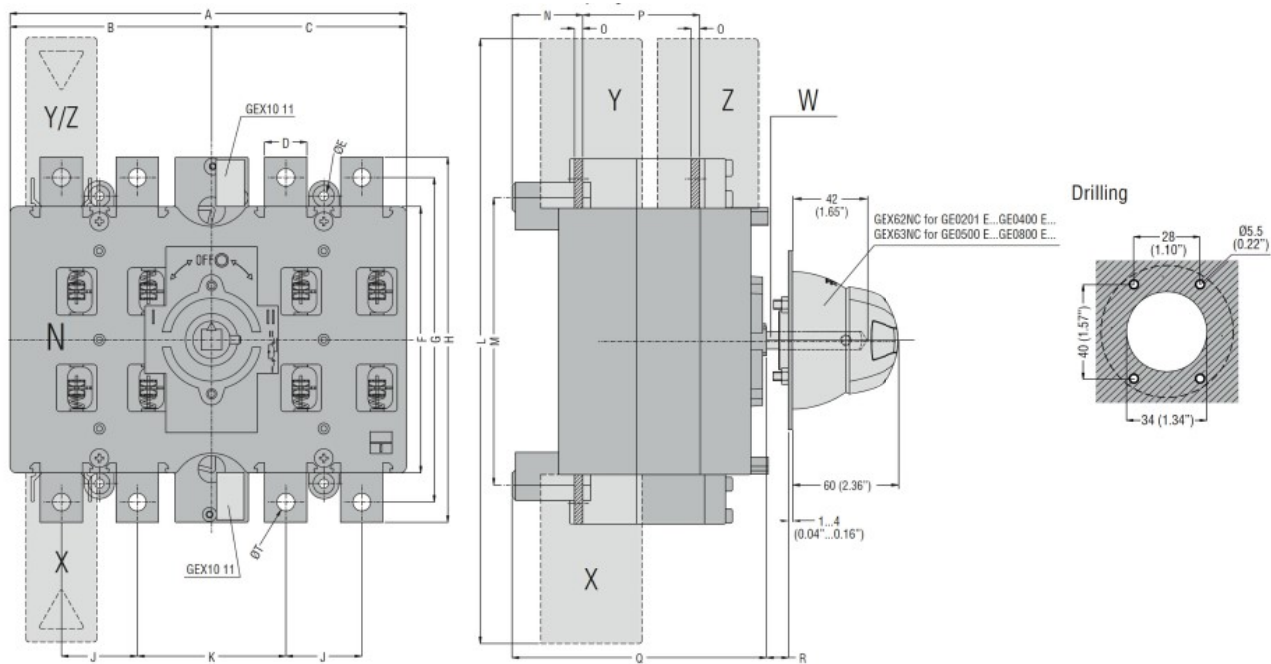
Frontal IP degree

IP20

Pollution degree

3

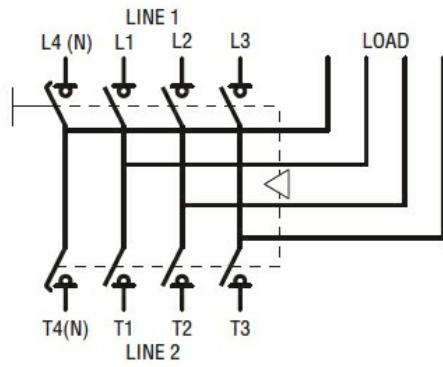
Dimensions



TYPE	A	B	C	D	ØE	F	G	H	J	K	L	M	N	O	P	Q	R Max	S	Ø T	U	V	Shaft extension W	Terminal covers (N° of pcs/set)			
																							X (line 1)	Y (line 2)	Z (load)	
GE0201 E GE0250 E GE0315 E GE0400 E	235 (9.25")	119.5 (4.70")	115.5 (4.55")	25 (0.98")	5.5 (0.22")	157 (6.18")	192 (7.56")	216 (8.50")	45 (1.77")	88 (3.46")	357 (14.05")	170 (6.69")	42 (1.65")	3 (0.12)	67 (2.64")	151 (5.94")	437 (17.2")	143 (5.63")	M10	133 (5.24")	142 (5.59")	GEX7227N GEX7375N GEX7536N □ 10 (0.6")	GEX82 12 (3)	GEX82 11 (3)	GEX83 12 (3)	
GE0201 ET4 GE0250 ET4 GE0315 ET4 GE0400 ET4																								GEX82 13 (4)	GEX82 13 (4)	GEX83 12 (4)
GE0500 E GE0630 E GE0800 E	321 (12.63")	162 (6.38")	159 (6.26")	40 (1.57")	7 (0.27")	232 (9.13")	282 (11.10")	312 (12.28")	65 (2.56")	121 (4.73")	482 (18.98")	247 (9.72")	46 (1.81")	5 (0.20")	87 (3.42")	180 (7.09")	417 (16.42")	176 (6.93")	M12	186 (7.32")	171 (6.73")	GEX7195N GEX7345N GEX7535N □ 10 (0.6")	GEX82 22 (3)	GEX82 21 (3)	GEX83 21 (3)	
GE0500 ET4 GE0630 ET4 GE0800 ET4																								GEX82 23 (4)	GEX82 23 (4)	GEX83 22 (4)

Wiring diagrams

**GE0201 ET4 - GE1600 ET4**



**Certifications and compliance**

Compliance

IEC/EN 60947-1

IEC/EN 60947-3

Certifications

EAC

**ETIM classification**

ETIM 8.0

EC000216 -  
 Switch  
 disconnecter