



Product designation				Switch disconnecter with fuse
Product type designation				GE
Type of fuse				BS
Number of poles	Nr.			3
Operating voltage type				AC
Contact characteristics				
IEC Conventional free air thermal current I _{th}	A			400
Rated insulation voltage U _i IEC/EN	V			1000
Rated impulse withstand voltage U _{imp}	kV			12
Operating current I _e				
AC21A				
	400V	A	400	
	500V	A	400	
	690V	A	400	
AC22A				
	400V	A	400	
	500V	A	400	
	690V	A	400	
AC23A				
	400V	A	400	
	500V	A	400	
	690V	A	315	
Power dissipation per pole max		W	29	
Rated operational power AC23A				
	400V	kW	220	
	690V	kW	250	
Conditional short-circuit current (rms)		kA	100	
Specific let through energy I ² t		kA ² s	1.6	
Making capacity AC23A 400V		A	4000	
Breaking capacity AC23A 400V		A	3200	
Mechanical life		cycles	10000	
Electrical life AC21A		cycles	1000 (AC23A 400V)	
Mechanical features				
Operating position		normal allowable	Vertical plan Any	
Fixing			Screw	
Terminals		type screw	Bar M10	
Tightening torque for terminals				
	max	Nm	24	
	max	lbin	18	

Bar dimensions max 35x5

Ambient conditions

Operating temperature
min °C -25
max °C 55

Storage temperature
min °C -40
max °C 70

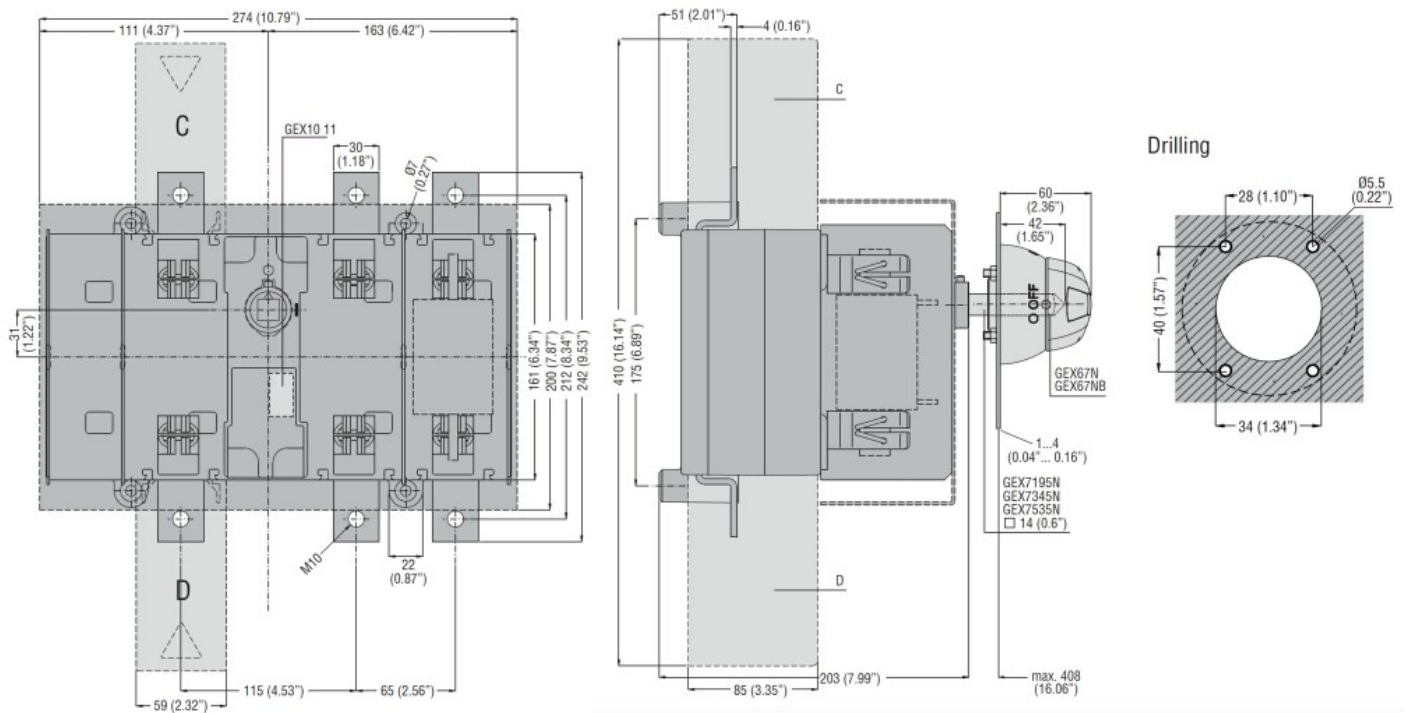
Max altitude m 3000

Resistance & Protection

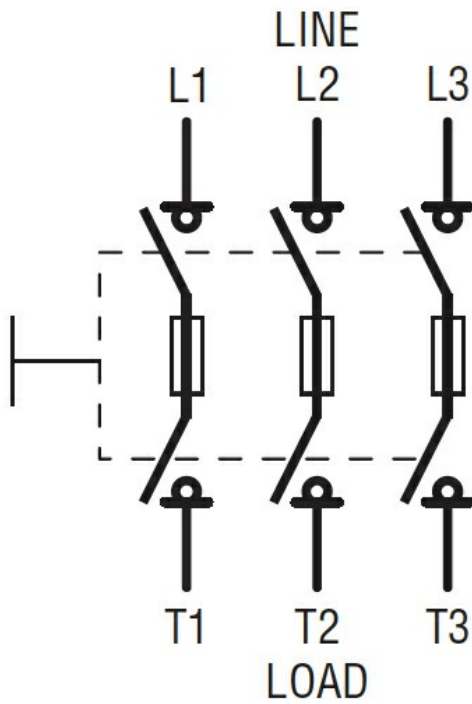
Frontal IP degree IP20

Pollution degree 3

Dimensions



Wiring diagrams



Certifications and compliance

Compliance

IEC/EN 60947-1

IEC/EN 60947-3

Certifications

EAC

ETIM classification

ETIM 8.0

EC000216 -
 Switch
 disconnecter