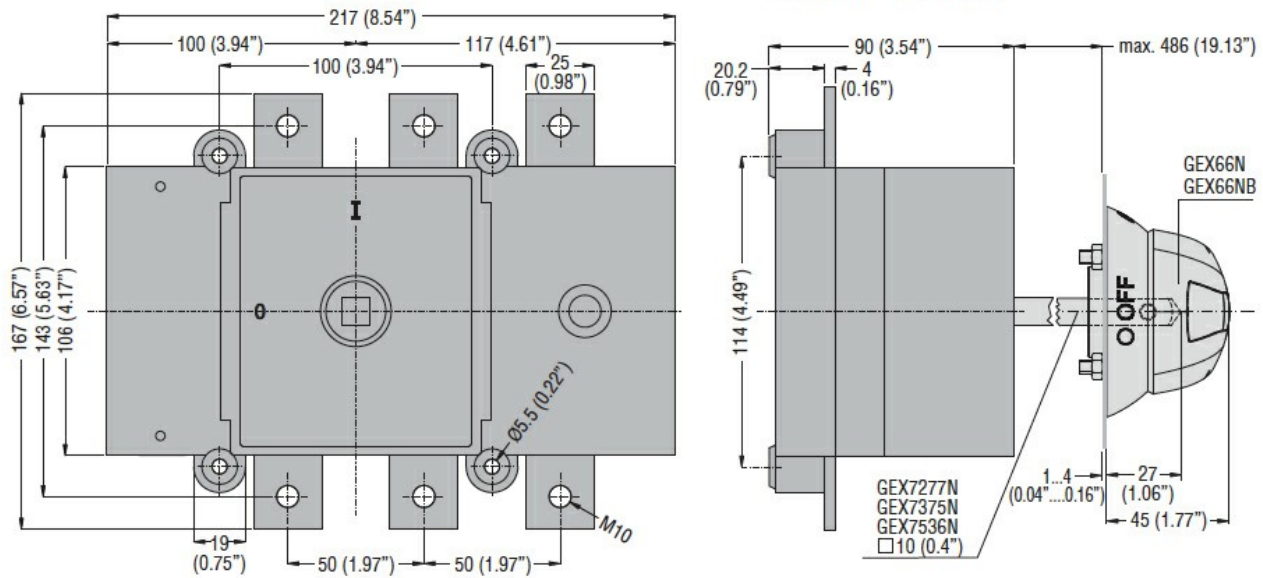




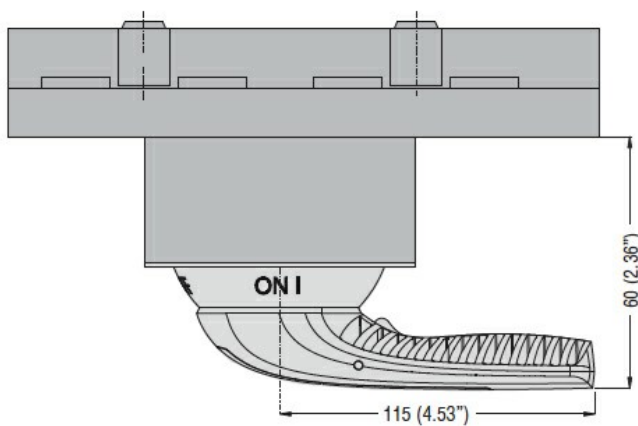
Product designation				Switch disconnecter
Product type designation				GE
Number of poles				Nr. 3
Operating voltage type				AC
<b>Contact characteristics</b>				
IEC Conventional free air thermal current I <sub>th</sub>			A	315
Rated insulation voltage U <sub>i</sub> IEC/EN			V	1000
Rated impulse withstand voltage U <sub>imp</sub>			kV	8
Operating current I <sub>e</sub>				
	AC21A			
		400V	A	315
		500V	A	315
		690V	A	250
	AC22A			
		400V	A	315
		500V	A	315
		690V	A	200
	AC23A			
		400V	A	315
		500V	A	250
		690V	A	160
Power dissipation per pole max			W	6.5
Rated operational power AC23A				
		400V	kW	174
		690V	kW	153
Rated short time current (1s) I <sub>cw</sub> (rms)			kA	12
Conditional short-circuit current (rms)			kA	100
Short-circuit protection with fuse			Class/A	gG315
Making capacity AC23A 400V			A	3150
Breaking capacity AC23A 400V			A	2520
Mechanical life			cycles	20000
Electrical life AC21A			cycles	1000 (AC23A 400V)
<b>Mechanical features</b>				
Operating position			normal allowable	Vertical plan Any
Fixing				Screw
Terminals			type screw	Bar M10
Tightening torque for terminals				
		max	Nm	18
		max	lbin	10

Bar dimensions max	25x4		
<b>Ambient conditions</b>			
Operating temperature	min	°C	-25
	max	°C	55
<b>Storage temperature</b>			
	min	°C	-40
	max	°C	70
Max altitude	m	3000	
<b>Resistance &amp; Protection</b>			
Frontal IP degree	IP20		
Pollution degree	3		
<b>Dimensions</b>			

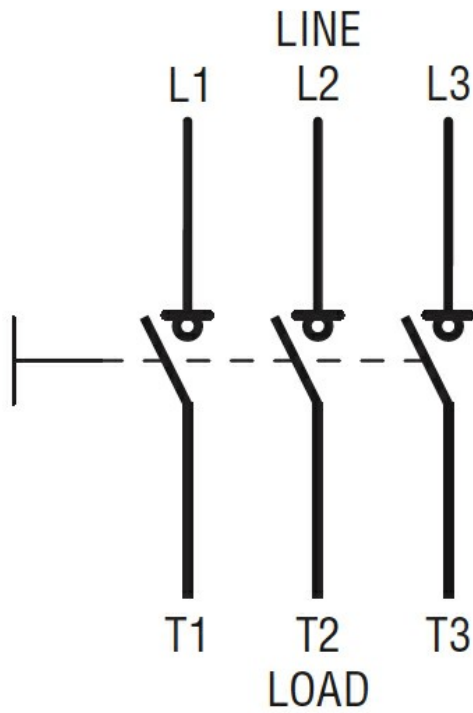
Door coupling version with handle  
GEX66N - GEX66NB



Direct operating version with handle  
GEX66ND



**Wiring diagrams**



**Certifications and compliance**

Compliance

IEC/EN 60947-1

IEC/EN 60947-3

Certifications

EAC

**ETIM classification**

ETIM 8.0

EC000216 -  
 Switch  
 disconnecter