

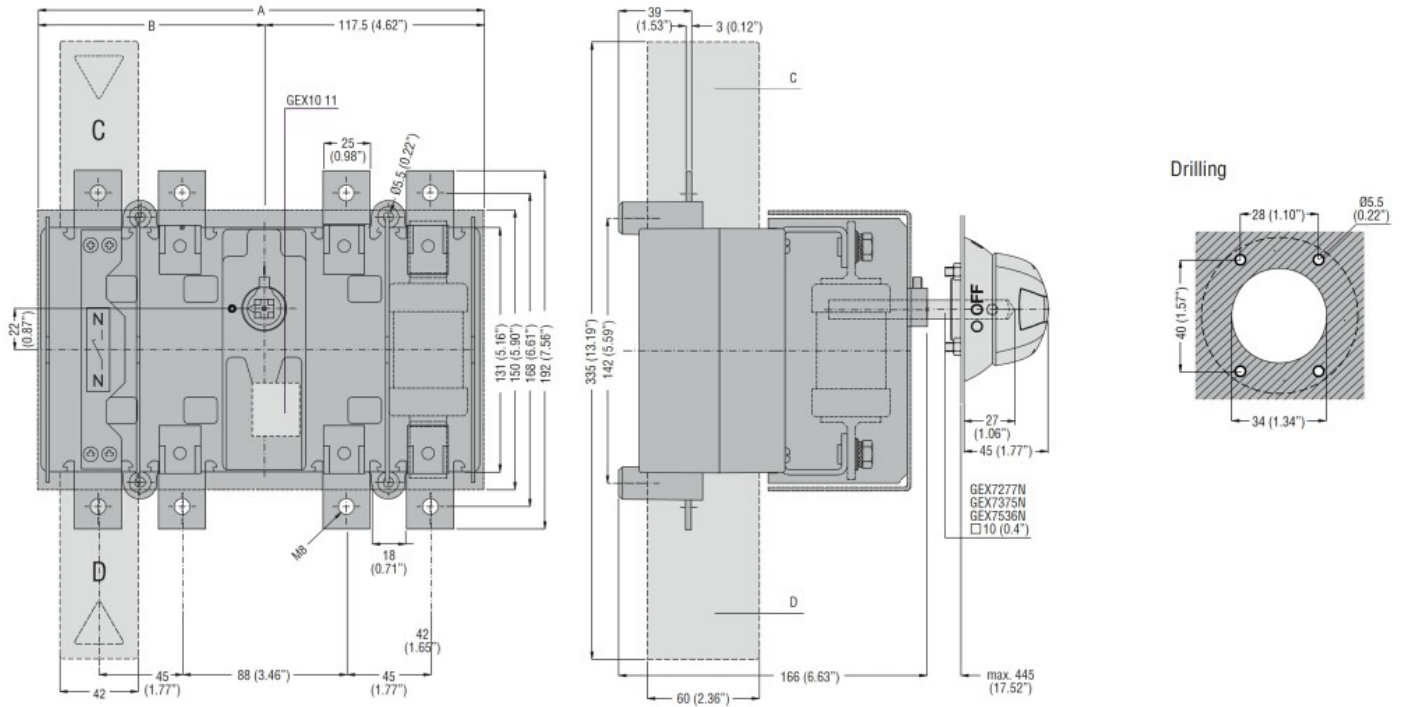


Product designation				Switch disconnecter with fuse
Product type designation				GE
Type of fuse				BS
Number of poles	Nr.			4
Operating voltage type				AC
Contact characteristics				
IEC Conventional free air thermal current I _{th}	A			250
Rated insulation voltage U _i IEC/EN	V			1000
Rated impulse withstand voltage U _{imp}	kV			12
Operating current I _e				
AC21A				
	400V	A	250	
	500V	A	250	
	690V	A	250	
AC22A				
	400V	A	250	
	500V	A	250	
	690V	A	250	
AC23A				
	400V	A	250	
	500V	A	250	
	690V	A	200	
Power dissipation per pole max		W	12	
Rated operational power AC23A				
	400V	kW	132	
	690V	kW	160	
Conditional short-circuit current (rms)		kA	100	
Specific let through energy I ² t		kA ² s	1.6	
Making capacity AC23A 400V		A	2500	
Breaking capacity AC23A 400V		A	2000	
Mechanical life		cycles	10000	
Electrical life AC21A		cycles	1000 (AC23A 400V)	
Mechanical features				
Operating position		normal allowable	Vertical plan Any	
Fixing			Screw	
Terminals		type screw	Bar M10	
Tightening torque for terminals				
	max	Nm	24	
	max	lbin	18	

Bar dimensions max	30x4		
Ambient conditions			
Operating temperature	min	°C	-25
	max	°C	55
Storage temperature			
	min	°C	-40
	max	°C	70
Max altitude	m	3000	

Resistance & Protection			
Frontal IP degree	IP20		
Pollution degree	3		

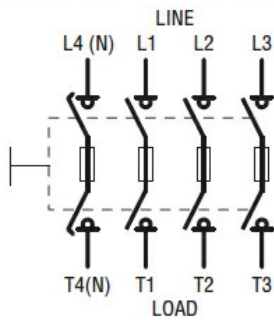
Dimensions



Wiring diagrams

Four-pole disconnectors with fuse holders

- GE0050 FT4 - GE0125 FT4
- GE0160 NT4 - GE0800 NT4
- GE0160 BT4 - GE0800 BT4



Certifications and compliance

Compliance	IEC/EN 60947-1
	IEC/EN 60947-3

Certifications

EAC

ETIM classification

ETIM 8.0

EC000216 -
Switch
disconnecter