

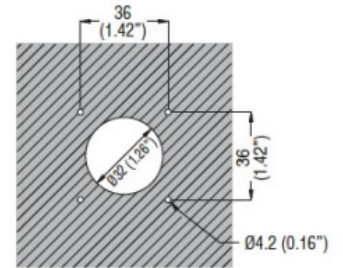
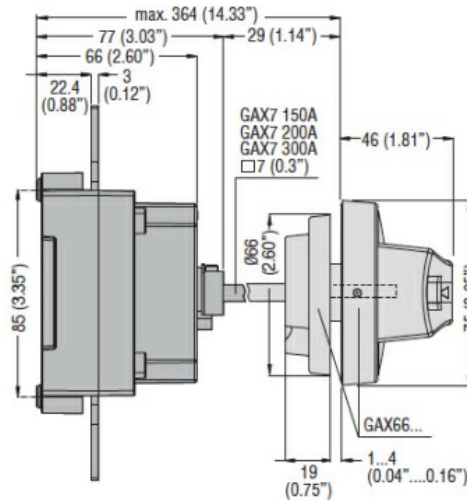
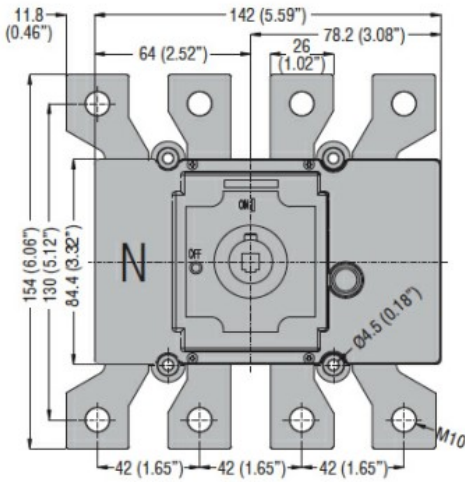


Product designation				Switch disconnecter
Product type designation				GE
Number of poles	Nr.			4
Operating voltage type				AC
Contact characteristics				
IEC Conventional free air thermal current I _{th}	A			200
Rated insulation voltage U _i IEC/EN	V			1000
Rated impulse withstand voltage U _{imp}	kV			8
Operating current I _e				
AC21A	400V	A	200	
	500V	A	200	
	690V	A	180	
AC22A	400V	A	200	
	500V	A	200	
	690V	A	160	
AC23A	400V	A	160	
	500V	A	125	
	690V	A	80	
Power dissipation per pole max	W			6
Rated operational power AC23A	400V	kW	90	
	690V	kW	75	
Rated short time current (1s) I _{cs} (rms)	kA			7
Conditional short-circuit current (rms)	kA			100
Short-circuit protection with fuse	Class/A			gG200
Making capacity AC23A 400V	A			1600
Breaking capacity AC23A 400V	A			1280
Mechanical life	cycles			30000
Electrical life AC21A	cycles			1000 (AC23A 400V)
Mechanical features				
Operating position	normal allowable			Vertical plan Any
Fixing				Screw
Terminals	type screw			Bar M10
Tightening torque for terminals	max	Nm	18	
	max	lbin	10	

Bar dimensions max	26x3		
Ambient conditions			
Operating temperature	min	°C	-25
	max	°C	55
Storage temperature	min	°C	-40
	max	°C	70
Max altitude	m		3000
Resistance & Protection			
Frontal IP degree	IP20		
Pollution degree	3		
Dimensions			

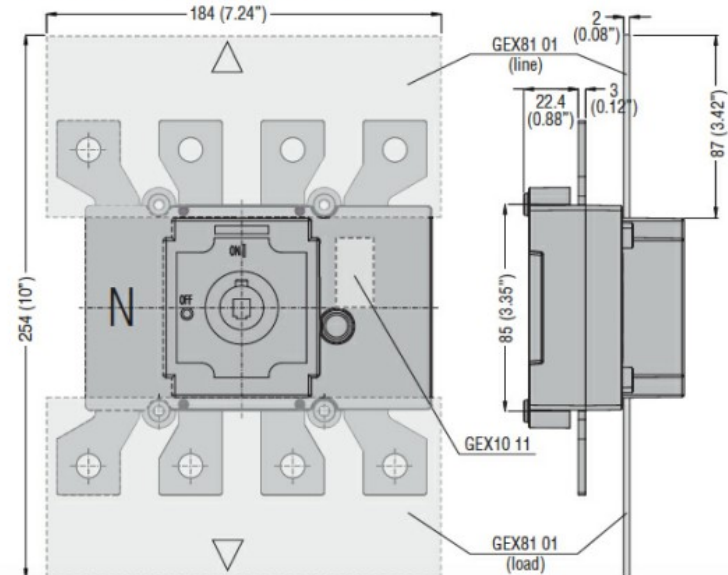
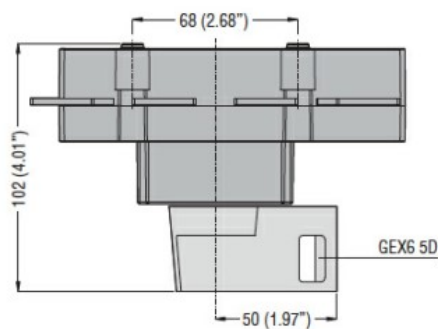
Door coupling version
with handle GAX66 - GAX66 B

Drilling



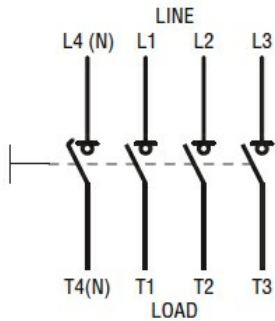
Direct operating version with handle GEX6 5D

With terminal cover and auxiliary contact



Wiring diagrams

Four-pole disconnectors
GE0160 T4 - GE1600 T4
GE0160 T4P



Certifications and compliance

Compliance

IEC/EN 60947-1

IEC/EN 60947-3

Certifications

EAC

ETIM classification

ETIM 8.0

EC000216 -
 Switch
 disconnector