



Product designation				Changeover Switch
Product type designation				GE
Number of poles	Nr.			3
Operating voltage type				AC
<b>Contact characteristics</b>				
IEC Conventional free air thermal current I <sub>th</sub>	A			200
Rated insulation voltage U <sub>i</sub> IEC/EN	V			1000
Rated impulse withstand voltage U <sub>imp</sub>	kV			8
Operating current I <sub>e</sub>				
AC21A				
	400V	A	200	
	500V	A	200	
	690V	A	200	
AC22A				
	400V	A	200	
	500V	A	200	
	690V	A	160	
AC23A				
	400V	A	160	
	500V	A	125	
Power dissipation per pole max		W	6	
Rated operational power AC23A				
	400V	kW	89	
	690V	kW	76	
Rated short time current (1s) I <sub>cw</sub> (rms)		kA	7	
Conditional short-circuit current (rms)		kA	100	
Short-circuit protection with fuse		Class/A	gG200	
Making capacity AC23A 400V		A	1600	
Mechanical life		cycles	30000	
Electrical life AC21A		cycles	1000 (AC23A 400V)	
<b>Mechanical features</b>				
Operating position		normal allowable	Vertical plan Any	
Fixing			Screw	
Terminals		type screw	Bar M10	
Tightening torque for terminals				
	max	Nm	24	
	max	lbin	18	
Bar dimensions max			26x3	
<b>Ambient conditions</b>				

Operating temperature

min	°C	-25
max	°C	55

Storage temperature

min	°C	-40
max	°C	70

Max altitude

m	3000
---	------

Resistance & Protection

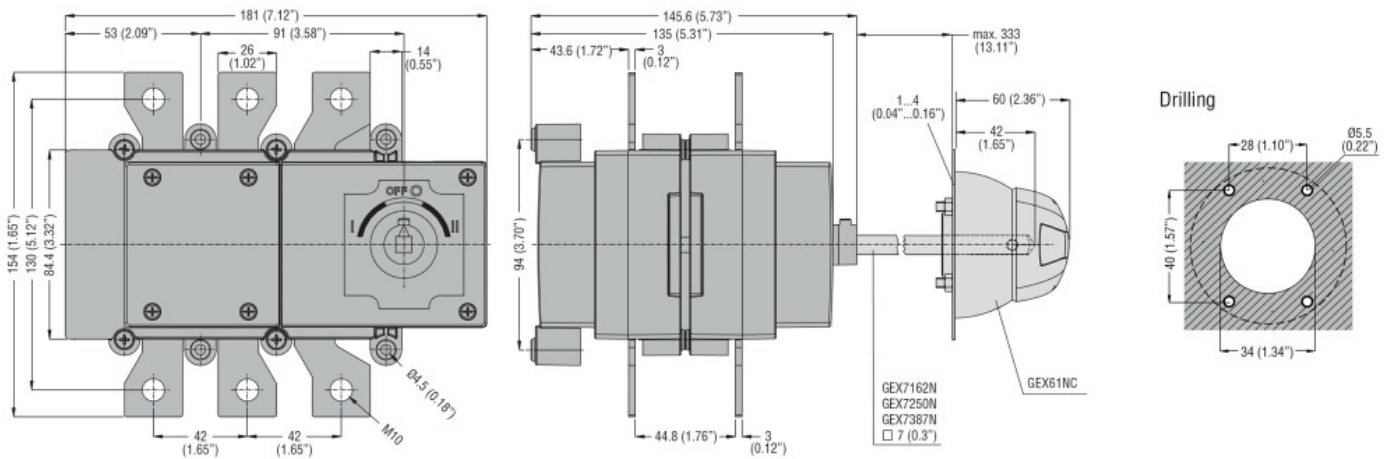
Frontal IP degree

IP20

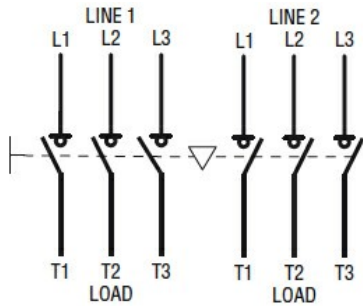
Pollution degree

3

Dimensions



Wiring diagrams



Certifications and compliance

Compliance

IEC/EN 60947-1  
IEC/EN 60947-3

Certifications

EAC

ETIM classification

ETIM 8.0

EC000216 -  
Switch  
disconnecter