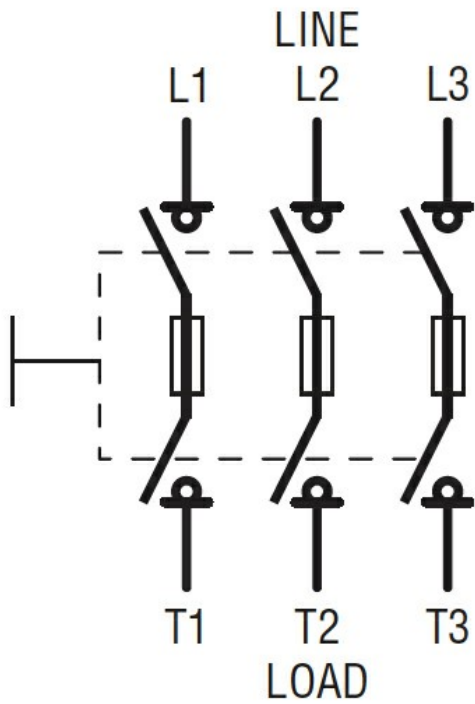




Product designation				Switch disconnecter with fuse
Product type designation				GE
Type of fuse				BS
Number of poles	Nr.			3
Operating voltage type				AC
<b>Contact characteristics</b>				
IEC Conventional free air thermal current I <sub>th</sub>	A			200
Rated insulation voltage U <sub>i</sub> IEC/EN	V			800
Rated impulse withstand voltage U <sub>imp</sub>	kV			8
Operating current I <sub>e</sub>				
AC21A				
	400V	A	200	
	500V	A	200	
	690V	A	200	
AC22A				
	400V	A	200	
	500V	A	200	
	690V	A	200	
AC23A				
	400V	A	200	
	500V	A	200	
	690V	A	160	
Power dissipation per pole max	W			13
Rated operational power AC23A				
	400V	kW	110	
	690V	kW	132	
Conditional short-circuit current (rms)	kA			100
Specific let through energy I <sup>2</sup> t	kA <sup>2</sup> s			0.478
Making capacity AC23A 400V	A			2000
Breaking capacity AC23A 400V	A			1600
Mechanical life	cycles			10000
Electrical life AC21A	cycles			1000 (AC23A 400V)
<b>Mechanical features</b>				
Operating position	normal allowable			Vertical plan Any
Fixing				Screw
Terminals	type screw			Bar M8
Tightening torque for terminals				
	max	Nm	13	
	max	lbin	10	





**Certifications and compliance**

Compliance

IEC/EN 60947-1

IEC/EN 60947-3

Certifications

EAC

**ETIM classification**

ETIM 8.0

EC000216 -  
 Switch  
 disconnecter