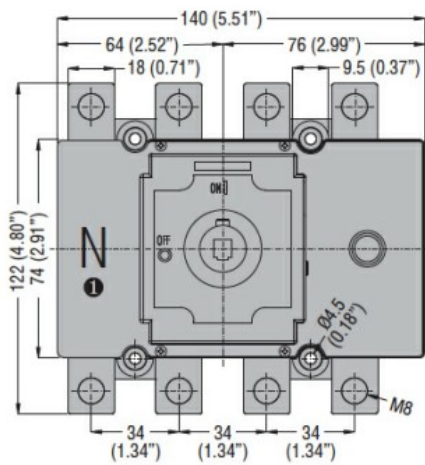




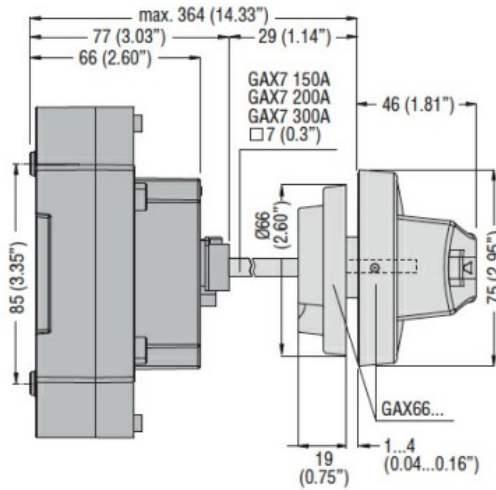
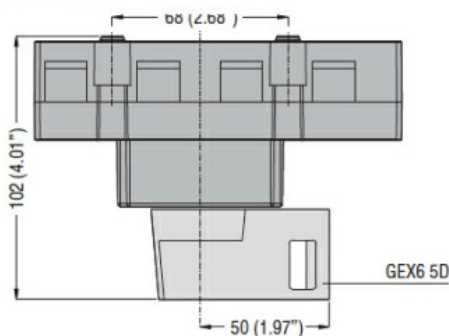
Product designation				Switch disconnecter
Product type designation				GE
Number of poles	Nr.			4
Operating voltage type				AC
<b>Contact characteristics</b>				
IEC Conventional free air thermal current I <sub>th</sub>	A			160
Rated insulation voltage U <sub>i</sub> IEC/EN	V			1000
Rated impulse withstand voltage U <sub>imp</sub>	kV			8
Operating current I <sub>e</sub>				
AC21A	400V	A	160	
	500V	A	160	
	690V	A	160	
AC22A	400V	A	160	
	500V	A	125	
	690V	A	125	
AC23A	400V	A	160	
	500V	A	125	
	690V	A	80	
Power dissipation per pole max	W			4
Rated operational power AC23A	400V	kW	90	
	690V	kW	75	
Rated short time current (1s) I <sub>cw</sub> (rms)	kA			7
Conditional short-circuit current (rms)	kA			100
Short-circuit protection with fuse	Class/A			gG160
Making capacity AC23A 400V	A			1600
Breaking capacity AC23A 400V	A			1280
Mechanical life	cycles			30000
Electrical life AC21A	cycles			1000 (AC23A 400V)
<b>Mechanical features</b>				
Operating position	normal allowable	Vertical plan Any		
Fixing	Screw			
Terminals	type screw	Built-in terminal lug M8		
Tightening torque for terminals	max	Nm	4	

	max	lbin	3
Bar dimensions max			18x3
<b>Ambient conditions</b>			
Operating temperature	min	°C	-25
	max	°C	55
<b>Storage temperature</b>			
	min	°C	-40
	max	°C	70
<b>Max altitude</b>			
		m	3000
<b>Resistance &amp; Protection</b>			
Frontal IP degree			IP20
Terminals IP degree			IP20
Pollution degree			3
<b>Dimensions</b>			

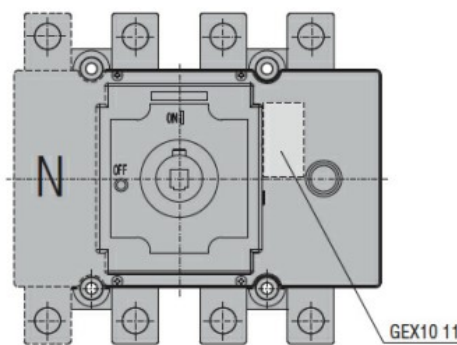


❗ Not indicated on GE0160 DTP4 type.

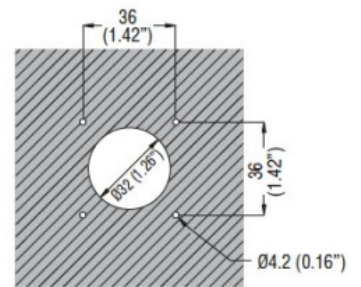
Direct operating version with handle  
GEX6 5D



With auxiliary contact

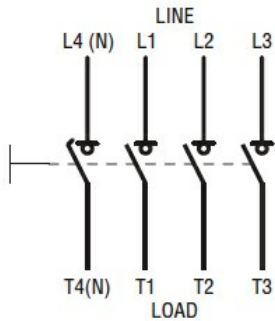


**Drilling**



**Wiring diagrams**

Four-pole disconnectors  
**GE0160 T4 - GE1600 T4**  
**GE0160 T4P**



**Certifications and compliance**

Compliance

IEC/EN 60947-1

IEC/EN 60947-3

Certifications

EAC

**ETIM classification**

ETIM 8.0

EC000216 -  
 Switch  
 disconnecter