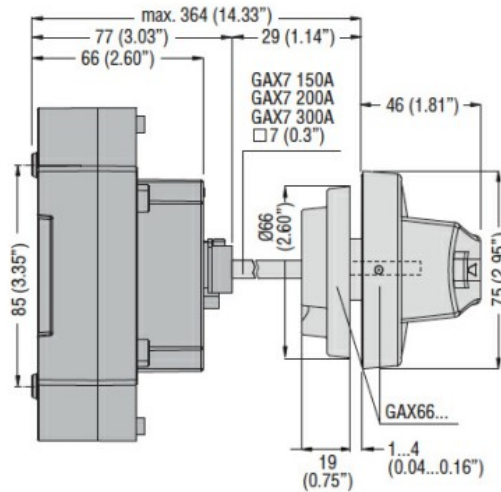
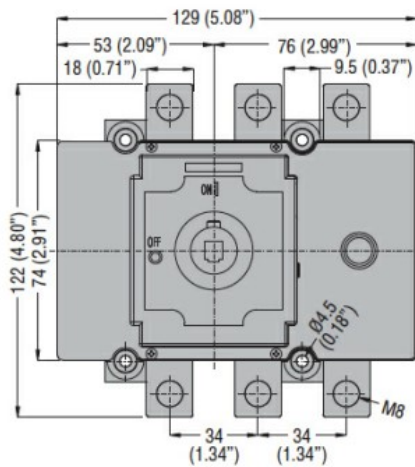


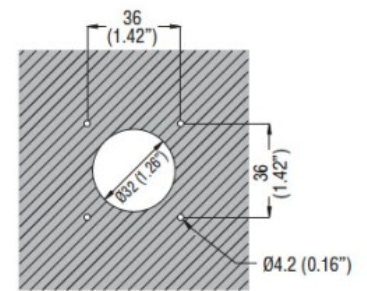


Product designation				Switch disconnecter
Product type designation				GE
Number of poles				Nr. 3
Operating voltage type				AC
Contact characteristics				
IEC Conventional free air thermal current I _{th}				A 160
Rated insulation voltage U _i IEC/EN				V 1000
Rated impulse withstand voltage U _{imp}				kV 8
Operating current I _e				
AC21A	400V	A	160	
	500V	A	160	
	690V	A	160	
AC22A	400V	A	160	
	500V	A	125	
	690V	A	125	
AC23A	400V	A	160	
	500V	A	125	
	690V	A	80	
Power dissipation per pole max				W 4
Rated operational power AC23A	400V	kW	90	
	690V	kW	75	
Rated short time current (1s) I _{cw} (rms)				kA 7
Conditional short-circuit current (rms)				kA 100
Short-circuit protection with fuse				Class/A gG160
Making capacity AC23A 400V				A 1600
Breaking capacity AC23A 400V				A 1280
Mechanical life				cycles 30000
Electrical life AC21A				cycles 1000 (AC23A 400V)
Mechanical features				
Operating position	normal allowable	Vertical plan Any		
Fixing				Screw
Terminals	type screw	Built-in terminal lug M8		
Tightening torque for terminals	max	Nm	4	

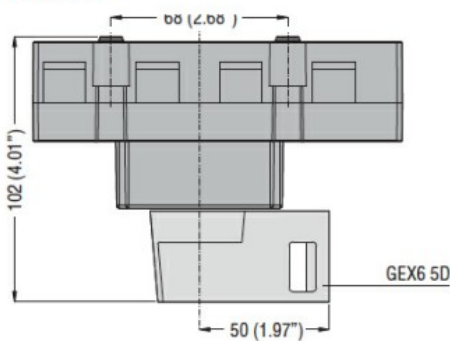
Bar dimensions max	max	lbin	3
			18x3
Ambient conditions			
Operating temperature	min	°C	-25
	max	°C	55
Storage temperature			
	min	°C	-40
	max	°C	70
Max altitude			
		m	3000
Resistance & Protection			
Frontal IP degree			IP20
Terminals IP degree			IP20
Pollution degree			3
Dimensions			



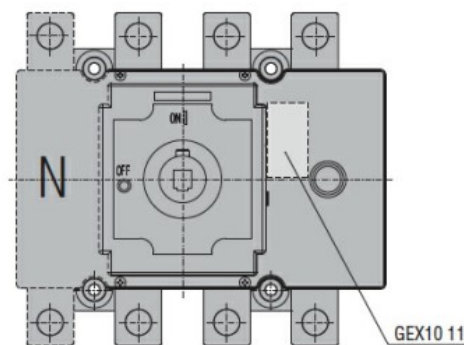
Drilling



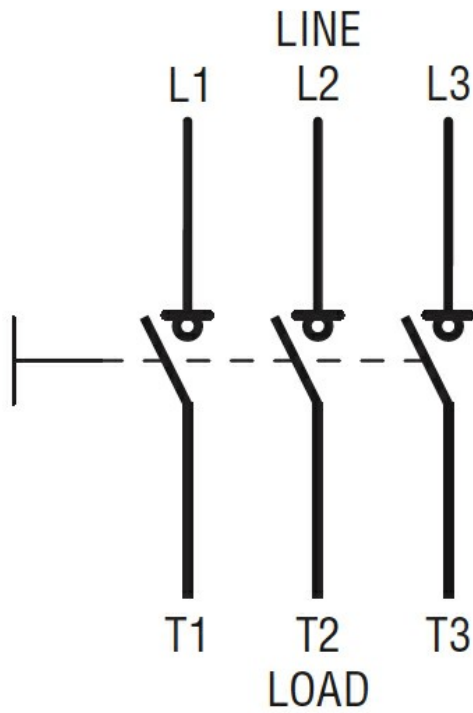
**Direct operating version with handle
GEX6 5D**



With auxiliary contact



Wiring diagrams



Certifications and compliance

Compliance

IEC/EN 60947-1

IEC/EN 60947-3

Certifications

EAC

ETIM classification

ETIM 8.0

EC000216 -
 Switch
 disconnecter