



Product designation				Changeover Switch
Product type designation				GE
Number of poles	Nr.			3
Operating voltage type				AC
<b>Contact characteristics</b>				
IEC Conventional free air thermal current I <sub>th</sub>	A			160
Rated insulation voltage U <sub>i</sub> IEC/EN	V			1000
Rated impulse withstand voltage U <sub>imp</sub>	kV			8
Operating current I <sub>e</sub>				
AC21A	400V	A	160	
	500V	A	160	
	690V	A	160	
AC22A	400V	A	160	
	500V	A	160	
	690V	A	125	
AC23A	400V	A	160	
	500V	A	125	
Power dissipation per pole max	W			4
Rated operational power AC23A	400V	kW	89	
	690V	kW	76	
Rated short time current (1s) I <sub>cw</sub> (rms)	kA			7
Conditional short-circuit current (rms)	kA			100
Short-circuit protection with fuse	Class/A			gG160
Making capacity AC23A 400V	A			1600
Mechanical life	cycles			30000
Electrical life AC21A	cycles			1000 (AC23A 400V)
<b>Mechanical features</b>				
Operating position	normal allowable	Vertical plan Any		
Fixing				Screw
Terminals	type screw	Bar M8		
Tightening torque for terminals	max	Nm	13	
	max	Ibin	10	
Bar dimensions max				18x3
<b>Ambient conditions</b>				

Operating temperature

min	°C	-25
max	°C	55

Storage temperature

min	°C	-40
max	°C	70

Max altitude

m	3000
---	------

**Resistance & Protection**

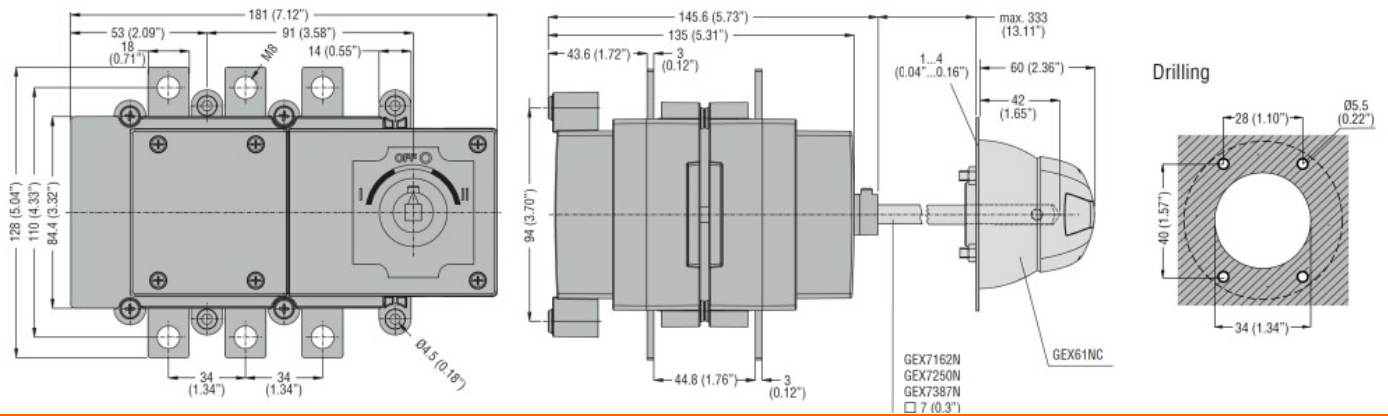
Frontal IP degree

IP20

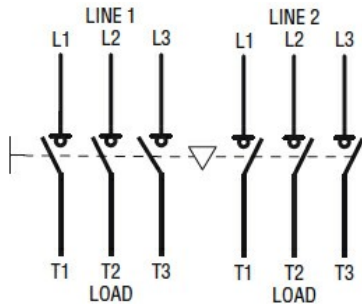
Pollution degree

3

**Dimensions**



**Wiring diagrams**



**Certifications and compliance**

Compliance

IEC/EN 60947-1  
IEC/EN 60947-3

Certifications

EAC

**ETIM classification**

ETIM 8.0

EC000216 -  
Switch  
disconnecter